



WINCH MOUNT BUMPER

2023+ TOYOTA SEQUIOA



INSTALL GUIDE

EXP270

PLEASE READ ENTIRE GUIDE BEFORE INSTALLATION

Recommended that you read this entire install guide before installation. Check that all hardware is present before starting or scheduling an install. This guide is supplemental to mechanical knowledge and ability. Anyone not familiar with automotive installation should seek professional installation.

LAST UPDATE 1/10/24 v1



INSTALL GUIDE

IMPORTANT INFO/FAQ

INSTALL GUIDE

ALL

INSTALLATION HELP

Please review terms and conditions for details

Recommended purchaser review Welcome Guide at time of purchase for details

Care and Maintenance available at www.exp-one.com/resources

We do our best to offer timely assistance with your installation questions however as most of our team members are primarily engaged in the manufacturing process and packaging processes, we do not currently offer a tech for on-demand calls and inquiries. For the more technical installs or installs that are time-sensitive in nature, we would recommend our customers seek out the services of professional shops with experience specific to aftermarket bumpers that can better meet your needs. We are happy to make recommendations to you on shops familiar with our products in your area. We do our best to respond to installation questions within 24-48 hours of contact as much as possible. Long-distance problem assessment can be difficult, so photos and videos are often required for us to best assist you. We highly recommend your initial contact regarding installation questions include both close-up and full photos, detailed descriptions using our part descriptions as much as possible, and video. This enables us to better assist without having the ability to see the install difficulties directly and assist you as quickly as possible.

NOTE

Expedition One does not guarantee fitment with other aftermarket products, or reinstallation of take off OEM parts.

Expedition One is NOT RESPONSIBLE for damage to paint or powder coating, items assembled in error during installation or costs associated with install

OEM manufacture model refreshes/updates, factory build location and suppliers may cause variations in fitment or installation and can not be verified, vehicle to vehicle .

This product contains chemicals known to the state of California to cause birth defects or other reproductive harm. For more information go to www.p65warnings.gov

GSA# GS-30F-013CA

EXPEDITION ONE
113 N. 700 W. BUILDING 5C BAY 1
OGDEN, UT 84404
INFO@EXPEDITIONONE.BIZ
801-627-2921

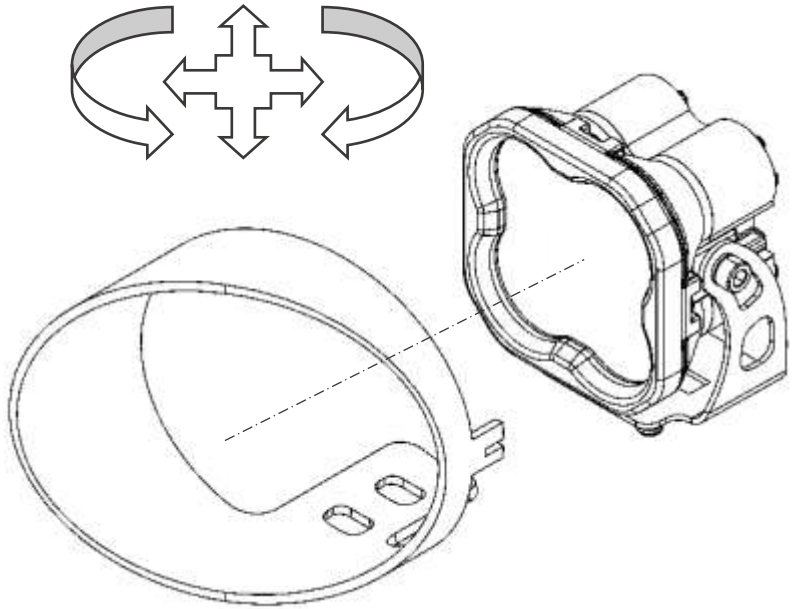
This product contains chemicals known to the state of California to cause birth defects or other reproductive harm. For more information go to www.p65warnings.gov

INSTALL GUIDE

ALL

LIGHTPORTS

To give you a wide range of options from various brands and designs, the light ports were designed to be as universal as possible. Not all mounts or designs will fit exactly and may require the use of shims, spacers, light manufacture mounts or different hardware to mount. Reuse of OEM light is limited to select bumpers and will come with provided hardware to reinstall. It is recommended that lights be purchased with the bumper in hand to gain the best fitment. We **DO NOT** manufacture the lights, provided wiring, or instructions on how to connect to the OEM harness.



EXAMPLE SHOWN – LIGHT PORTS VARY

WINCHES

We use the most common bolt patterning but cannot guarantee your particular winch will fit. Because there are so many different brands on the market for winches, we typically recommend you wait until you have your bumper in-hand and ideally even installed to have specific measurements for best fit for your particular application. Integrated and Non-Integrated solenoid fitment varies by vehicle, model, and engine. Non-integrated solenoids will need to be relocated to an open location within the bumper, engine bay, or other open location. We **DO NOT** provide mounts or instruction for relocation of the solenoid. Most bumpers use a foot forward mount and will require the winch to be clocked (see winch manufacture for details). Winch plates or direct mounting locations will be provided with the bumper, see install guide for details. See winch manufacture for hardware, associated parts, or fairleads. . We **DO NOT** manufacture the winch, provided wiring, or instructions on how to connect to the vehicles power.

AFTERMARKET or OEM PRODUCTS

We **DO NOT** guarantee fitment or installation of any aftermarket, third party or OEM parts, accessories, or hardware. This includes items such as lighting, winches, skids, lifts, suspension, and accessory mounts. Access to all brands, manufactures and country of origin specific parts is limited or impossible during the product development stage and subsequent new or modified revisions of said products including OEM design changes or refreshes. It is recommended you have the product in hand and installed before modifying with other aftermarket parts. Consult forums or other sources to gain any first hand knowledge of other products others have installed.
















INSTALL GUIDE

ALL

HARDWARE

Please review for details and installation. Figures or data may vary. Leave all accessible hardware loose for installation and tighten all hardware after everything is installed on the vehicle. Check and retighten all hardware after the first 100 miles and/or after off roading. **Some hardware locations do not require being tightened to spec due to there design, location or material attachment (including rubber, plastic, and aluminum). Over tightening may break or damage parts. Torque spec may vary, amounts listed are generic.**

HARDWARE		TORQUE SPEC – FT.-LBS.	
SIZE	SOCKET WRENCH	GRADE 5 M- 8.8	GRADE 8 M – 10.9
#8	1/4"	X	
#10	5/16"		
1/4"	7/16"	6-8	9-10
5/16"	1/2"	13-14	18-20
3/8"	9/16"	23-26	33-37
7/16"	5/8"	37-41	52-58
1/2"	3/4"	57-64	80-90
9/16"	13/16"	82-91	115-129
5/8"	15/16"	112-118	159-180
3/4"	1-1/8"	200-223	282-315
7/8"	1-5/16"	322-355	454-501
1"	36MM	X	
M6	10MM	9-10	13-15
M8	13MM	22-24	32-35
M10	15MM	44-49	64-72
M12	18MM	76-83	112-123

TYPES OF HARDWARE		
		
HEX CAP BOLT	WASHER	NYLOC NUT
		
BUTTON HEAD BOLT	FENDER WASHER	HEX NUT
		
CARRIAGE BOLT	INTERNAL TOOTH	JAM NUT
		
SOCKET CAP BOLT	CLIP NUT	ACORN NUT
		
FLAT HEAD SCREW	RIVET NUT	COUPLING



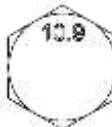
GRADE5



CLASS8.8



GRADE8



CLASS10.9

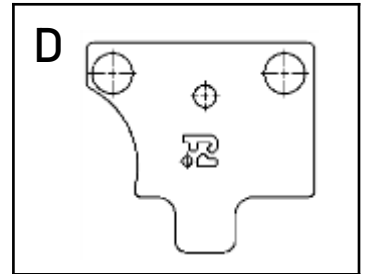
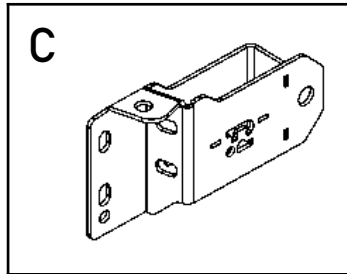
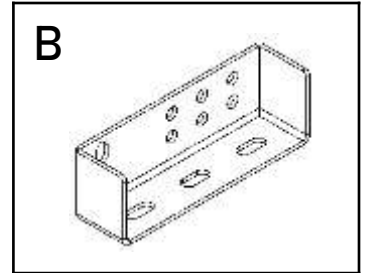
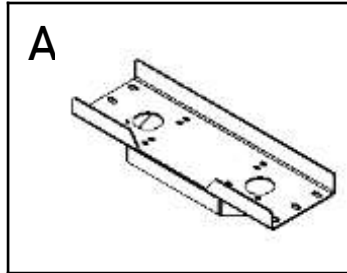
NOTE - Extra hardware may be left over due to model or option specific items that may not be required for the install.

INSTALL GUIDE

EXP270

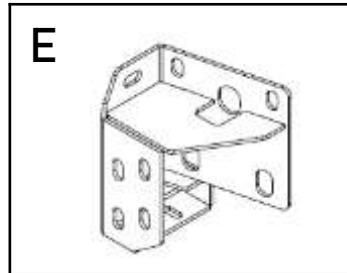
WINCH & FRAME MOUNTS

A Winch Mount	1
B Winch Mount Brackets	2
C Front Reinforcement Brackets	2
D Frame Spacer	2



BUMPER MOUNTS

E Bumper Mount Bracket	2
------------------------	---



WINCH & FRAME MOUNT HARDWARE

3/8"-16 X 1 1/4" Hex Cap Bolt	8
3/8"-16 Nyloc Nut	8
3/8" USS Washer	16
1/2"-13 X 1 1/2" Hex Cap Bolt	22
1/2"-13 Nyloc Nut	22
1/2" SAE Washer	44
3/4"- 10 X 4 1/4" Hex Cap Bolt	2
3/4"- 10 Nyloc Nut	2
3/4" USS Washer	4

BUMPER HARDWARE

1/2"-1 X 1 1/2" Hex Cap Bolt	8
1/2" USS Washer	8
Dog Bone Nut Retainer	4

1 - REMOVE OEM BUMPER HARDWARE

Remove the front bumper OEM hardware from the front wheel wells on each side of the vehicle. Extra locations may need to be unbolted to flex the fender trim (or completely remove the trim) for bumper removal, access and installation.

NOTE - Extra hardware may need to be removed due to model or option specific items that were not be present for the models and year specific vehicles used in our install. Check for extra connections before removing hardware.

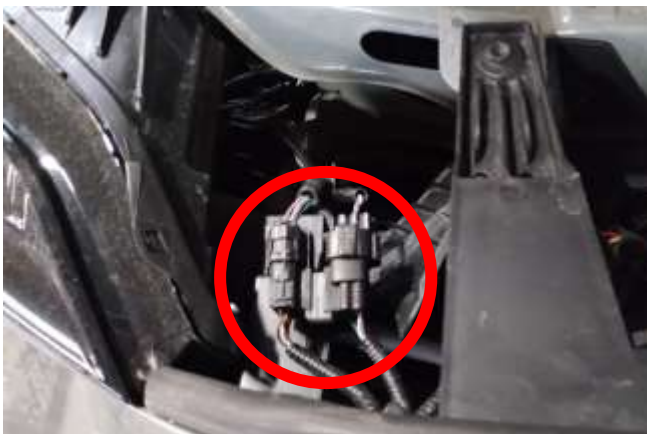


Unbolt the OEM hardware from the top of the grille as circled below. Save hardware as it will be reused.



2 - WIRING CONNECTIONS

Disconnect all wiring at the top of the grille,, grille shutter and main harness connect point. The OEM lights and sensors should remain attached to the bumper as part of the harness.



3 – BUMPER REMOVAL

Check for any remaining hardware connecting the bumper. Remove the bumper by pulling it away from the corner near the wheel wells.

4 – FRONT SPOILER REMOVAL

With the bumper removed, disconnect the wiring for the front spoiler motor. Unbolt all hardware and remove the motor and associated spoiler. The motor will be separated and remounted later to avoid setting a check engine code. The spoiler can't be remounted.



5 – CROSS MEMBER REMOVAL

Unbolt and remove the cross member as shown below. Save OEM hardware to be reused in mounting.



5 – CONTINUED

Remove the lower grace brace and remaining fixtures from the area of the cross member.

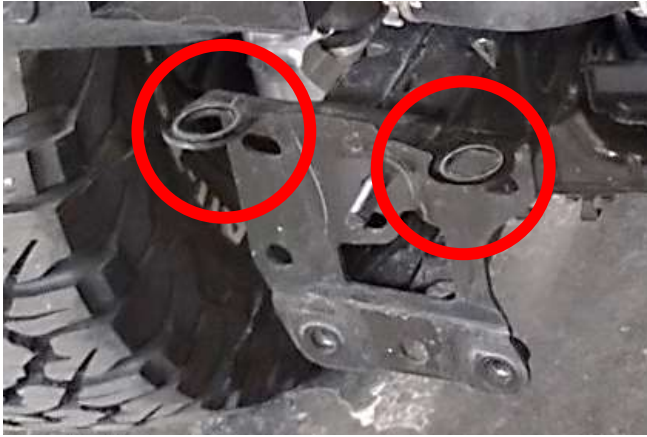


6 – BUMPER TRIMMING

Unclip and remove the panel from the bumper as shown. Once removed trim the edges and center (next page) Cut as needed. Extra may be required once the bumper is fitted to allow for body and frame flex or variations in OEM product and manufacturing. Replace the section with sensors and slots.



7 – FRAME MODIFICATION (IF APPLICABLE)



NOTE

The OEM frame tops may be bent or have undersized holes.

This may require one of the options below

- 1 – Bend them back to level
- 2 – Drill holes to fit 1/2" hardware (recoat surface)
- 3 – Use 3/8" hardware in place of 1/2" if needed

8 – FRAME SPACER

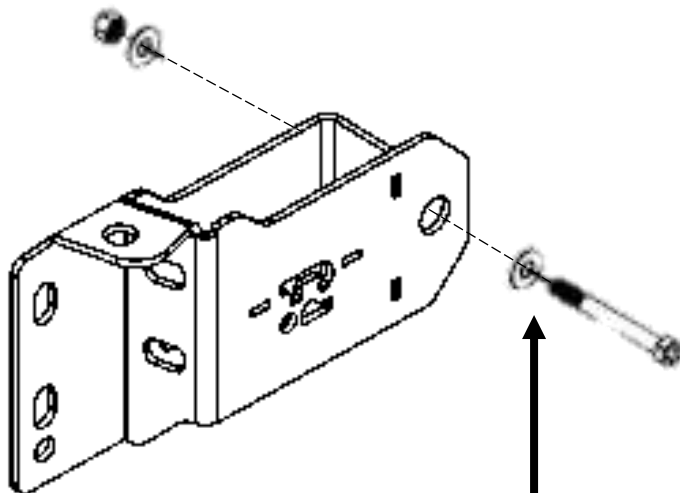
Attach the provided frame spacer as shown.



9 – REINFORCEMENT BRACKET INSTALLATION

Attach the reinforcement bracket next to the frame as shown. Mount using the provided 3/4" hardware.

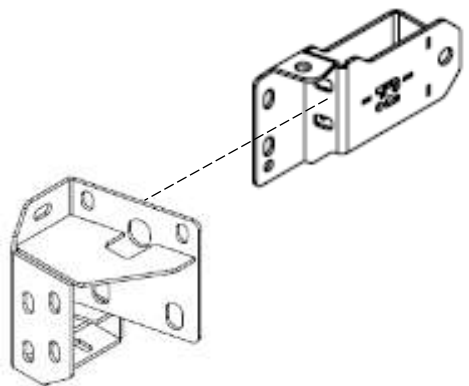
Leave all hardware loose for adjustment.



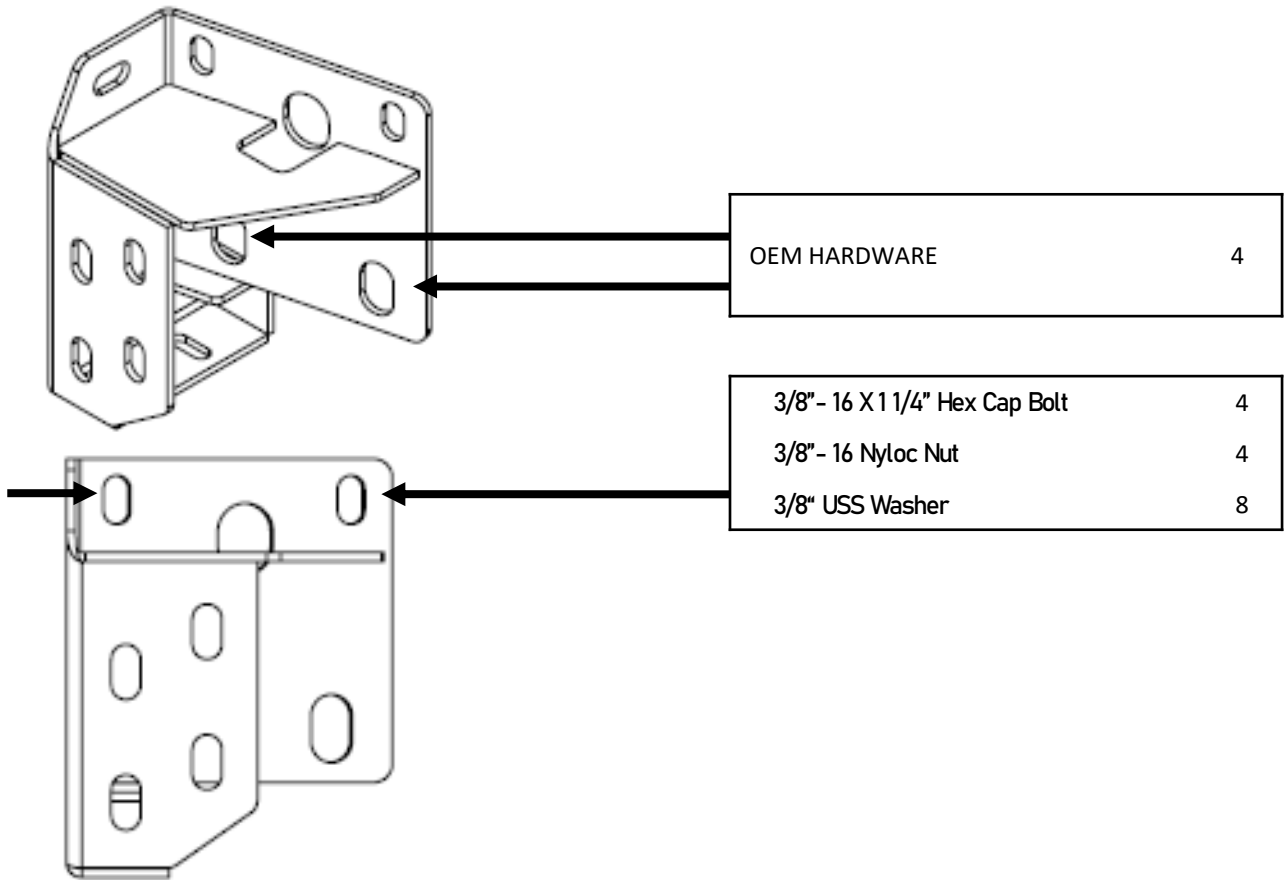
3/4" - 10 X 4 1/4" Hex Cap Bolt	2
3/4" - 10 Nyloc Nut	2
3/4" USS Washer	4

10- REINFORCEMENT BRACKET INSTALLATION

Attach the bumper mount bracket next to the frame and reinforcement bracket as shown. Mount using the provided 3/8" & 1/2" hardware and OEM bolts. Leave all hardware loose for adjustment.



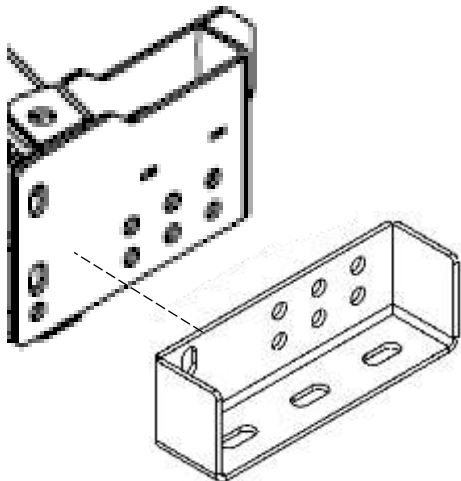
10 – HARDWARE DIAGRAM



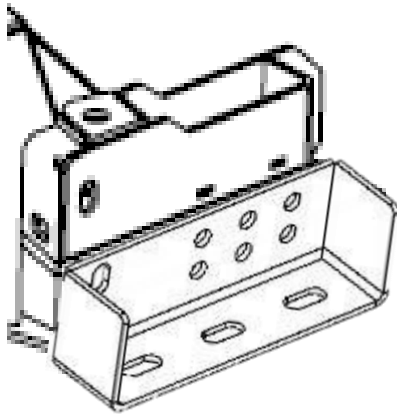
11 – WINCH MOUNT BRACKET INSTALLATION

Attach the winch mount bracket next to the bumper mount and reinforcement bracket as shown.

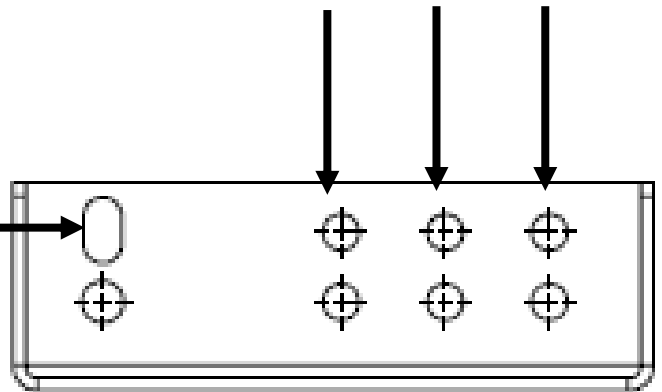
Use the provided 1/2" hardware. Leave all hardware loose for adjustment.



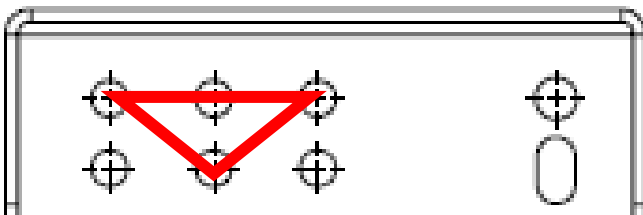
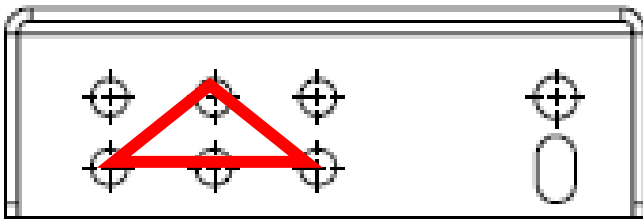
11 – HARDWARE DIAGRAM



1/2" – 13 x 1 1/2" HEX CAP BOLT	8
1/2" – 13 NYLOC NUT	8
1/2" USS WASHER	16

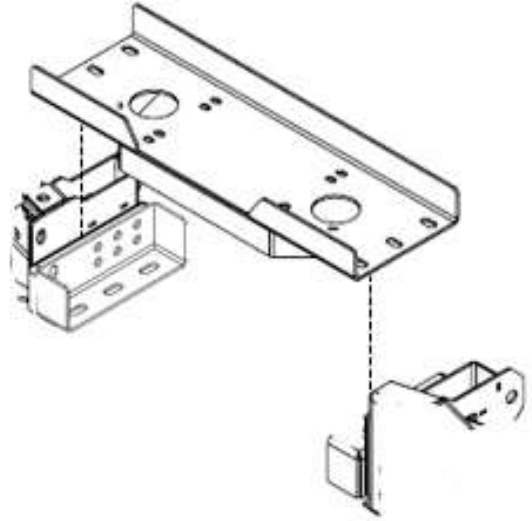


MOUNT IN A TRIANGLE PATTERN



12 – WINCH MOUNT INSTALLATION

Place the winch mount onto the winch mount bracket as shown. Mount with the provided 1/2" hardware
Leave all hardware loose for adjustment.



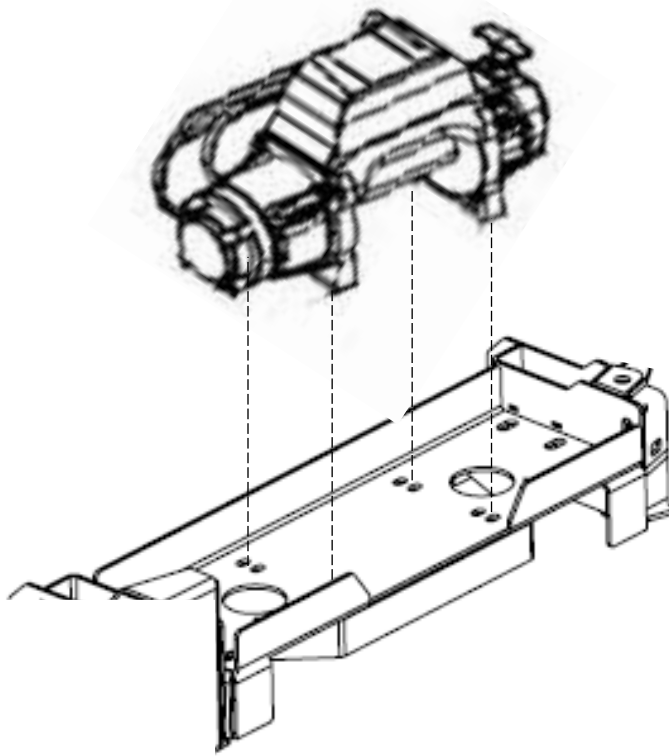
←	1/2" – 13 x 1 1/2" HEX CAP BOLT	6
←	1/2" – 13 NYLOC NUT	6
←	1/2" USS WASHER	12

13 – TIGHTEN HARDWARE

Adjust the winch mount to its desired location and **TIGHTEN HARDWARE**. Check that all hardware is tightened including all brackets and mounting locations

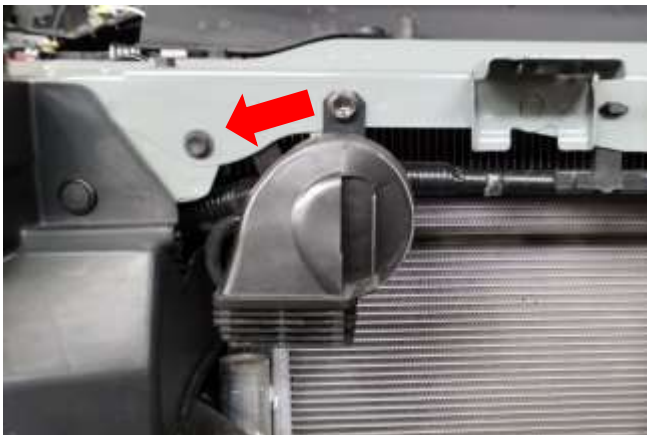
14 – WINCH INSTALLATION

Mount the winch at this time using the winch manufacture provided hardware. This will mount directly to the winch mount. Adjust as needed, and see winch section for details



15- SPOILER MOTOR RELOCATION (IF APPLICABLE)

Unbolt and relocate the horn as shown. Before for reinstalling the spoiler motor, bend the tab back from the old horn location. Next the motors housing will need to be trim of tabs or gussets for clearance and weight. Once trimmed reinstall the motor into the horns original location. Don't over tighten and use the provided washer to prevent cracking of the housing



15 - CONTINUED



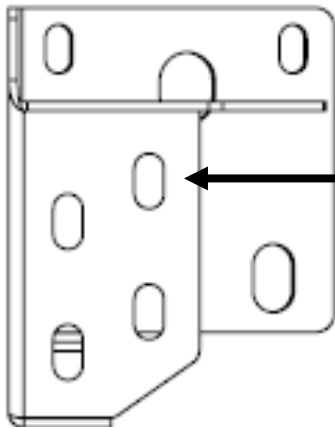
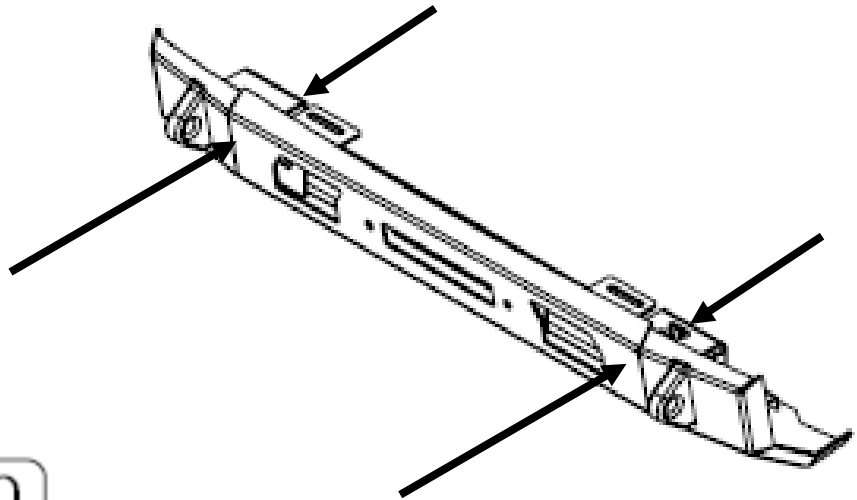
16 - GRILLE BRACE

Reattach the grille brace as shown



17 – BUMPER MOUNTING

Mount the winch bumper as shown using the provided 1/2" hardware. Leave all hardware loose for adjustment. **This can also be mounted with the plastic OEM bumper in place if needed Step 18.**



1/2" – 13 x 1 1/2" HEX CAP BOLT	8
DOG BONE NUT RETAINER	4
1/2" USS WASHER	8

17 – CONTINUED

Mount the bottom locations of the winch mount to the frame brackets using the provided 3/8" hardware.

Leave hardware loose for adjustment



Install the provide Mount any light bars at this time to the location shown below. Leave all hardware loose for adjustment (may require fitment after the OEM plastic bumper is installed or adjusted once on.



18 – OEM BUMPER INSTALLATION

Make sure wiring or other items including the winch rope are clear of pinch points for installation.. Reinstall the OEM bumper. Reconnect the wiring harness and hardware into the new bumper.



19 – TIGHTEN HARDWARE

Adjust the bumper to its desired location and TIGHTEN HARDWARE. Check that all hardware is tightened including all brackets and mounting locations. Reconnect the parking sensor wiring harness and other connections to the vehicles electronics and secure all loose wiring. Check that everything is working and adjust if needed before driving on the road.

ADDITIONAL LINKS

<https://www.exp-one.com/wp-content/uploads/2016/10/Proper-Care-and-Maintenance.pdf>

<https://www.exp-one.com/wp-content/uploads/2016/10/Paint-touch-up-instructions.pdf>

<https://www.exp-one.com/wp-content/uploads/2018/02/Exp-One-2016-TC-word-doc.pdf>

**TIGHTEN ALL HARDWARE AFTER EVERYTHING IS INSTALLED ON THE VEHICLE.
CHECK AND RETIGHTEN ALL HARDWARE AFTER THE FIRST 100 MILES AND AFTER
OFF ROADING. CHECK REGULARLY**