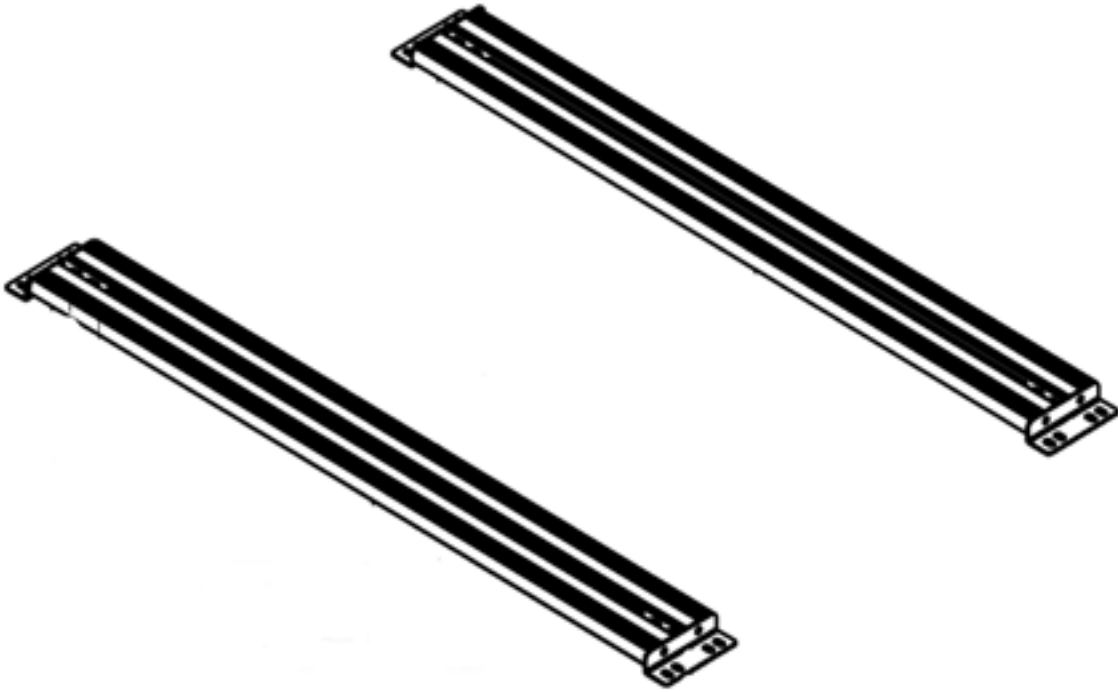


# INSTALLATION GUIDE

## TENT LOAD BARS



# CONTENTS

---

## FOR USE ON MULE RACK SYSTEMS

### HARDWARE

ITEM	QTY
Tent Load Bars	2
Mounting Brackets	4
Hardware	
5/16" -18 X 3/4" Button Heads Bolts	8
5/16" -18 X 1" Carriage Bolt	8
5/16" -18 Nyloc Nut	8
5/16" -18 USS Washer	8

### SKILL LEVEL - 2 STARS



1 STAR

EASY - No tools required

2 STARS

BASIC - Requires standard tools, basic mechanical knowledge and understanding

3 STARS

MODERATE - Requires standard tools. Some drilling and/or cutting.

4 STARS

ADVANCED - Requires speciality tools. Drilling, cutting, and/or welding

5 STARS

EXPERT - Professional installation recommended.

### DISCLAIMER

Expedition One is not responsible for any damages to vehicle or injury.  
We always recommend professional assistance when installing our vehicle products.  
Always follow safety precautions including the use of safety gear and devices.  
Check regularly that all bumper hardware tight and secure.  
Maintain and service systems such as bearings or assemblies as recommended.

\* The tent mounting brackets may or may not work with your specific roof-top tent, as there are multiple roof top tent variations.

\*\* It is not recommended you mount roof top tents on your truck ultra roof rack. We would recommend the Mule bedrack system for mounting a tent on your truck application.

# LOAD BAR LOCATIONS

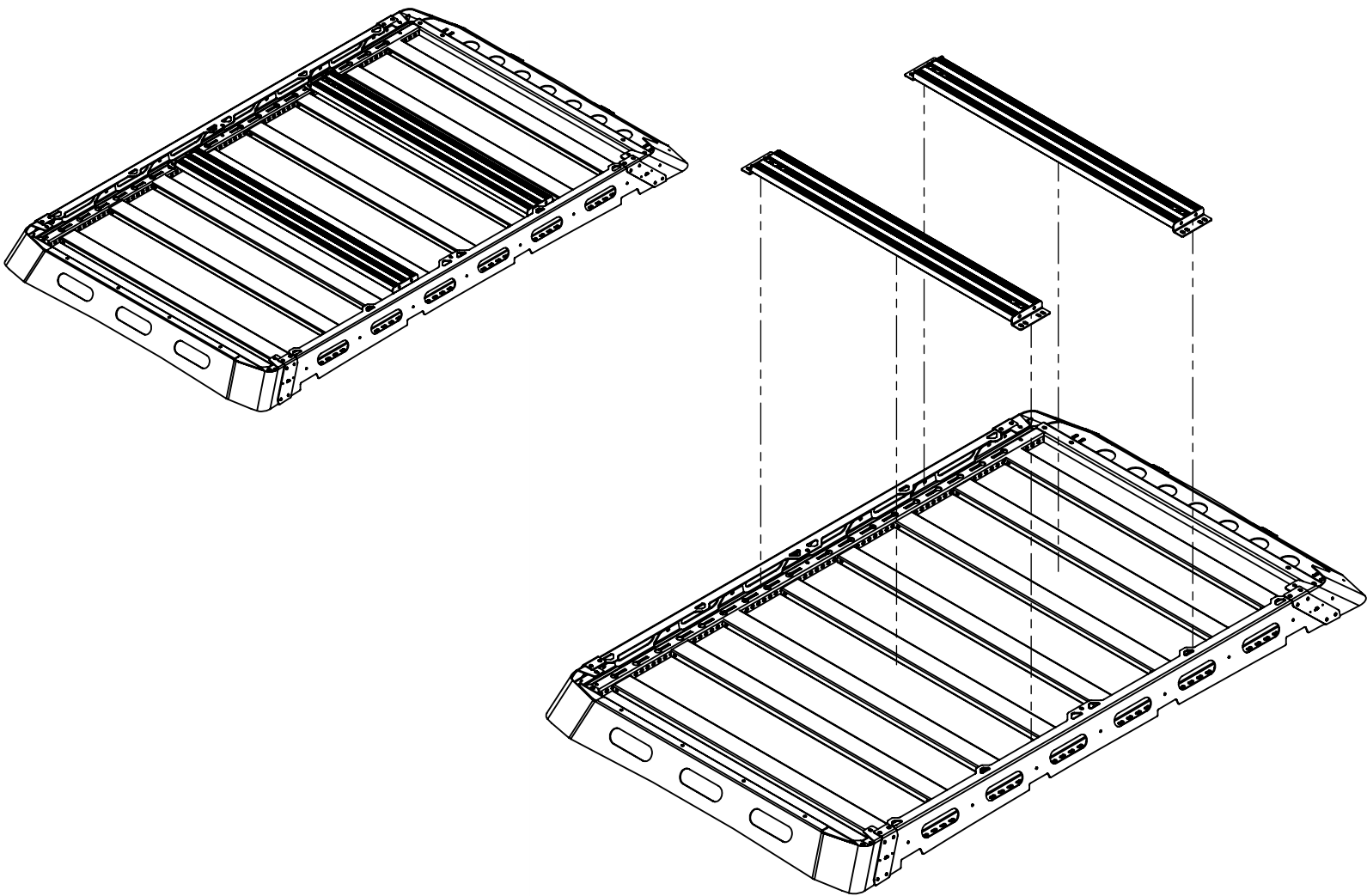
---

## 1 LOAD BAR LOCATIONS

Position brackets in the general area of where the tent will be positioned. Test fit load bars if needed.

Be sure to not overspan or underspan the distance in relation to the tent you are mounting. Test fit load bars if needed.

Do not position both load bars at the outer most positions front or rear on the rack.

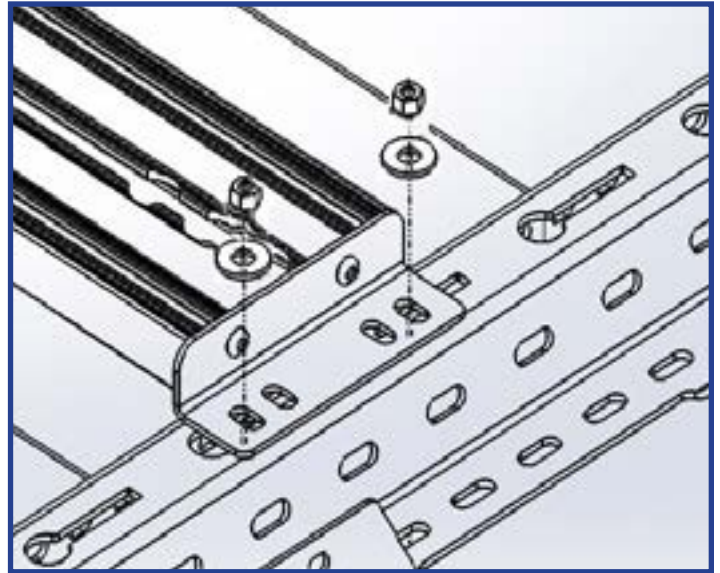
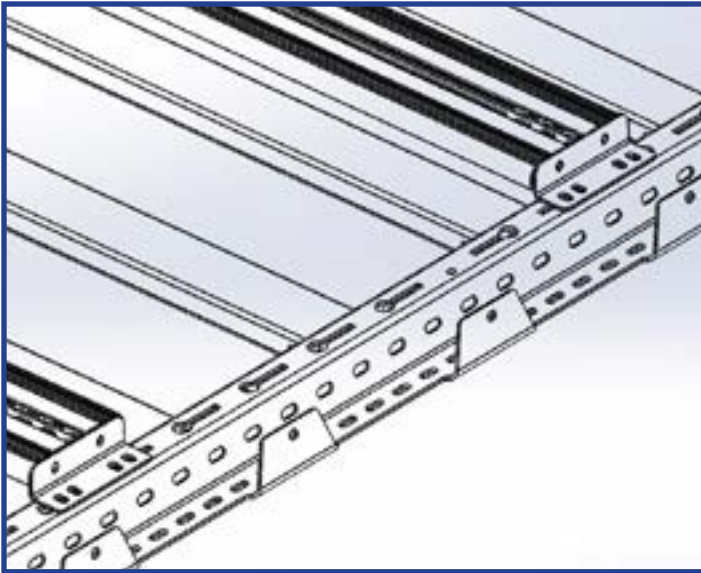


# MOUNTING

---

## 2 BRACKET MOUNTING

Mount the brackets to the rack as shown using the provided 5/16" carriage bolts and hardware. Leave loose for adjustment and alignment.



## 3 LOAD BAR MOUNTING

Attach the load bars using the 5/16" button head bolts and tighten all hardware once everything is in place.

