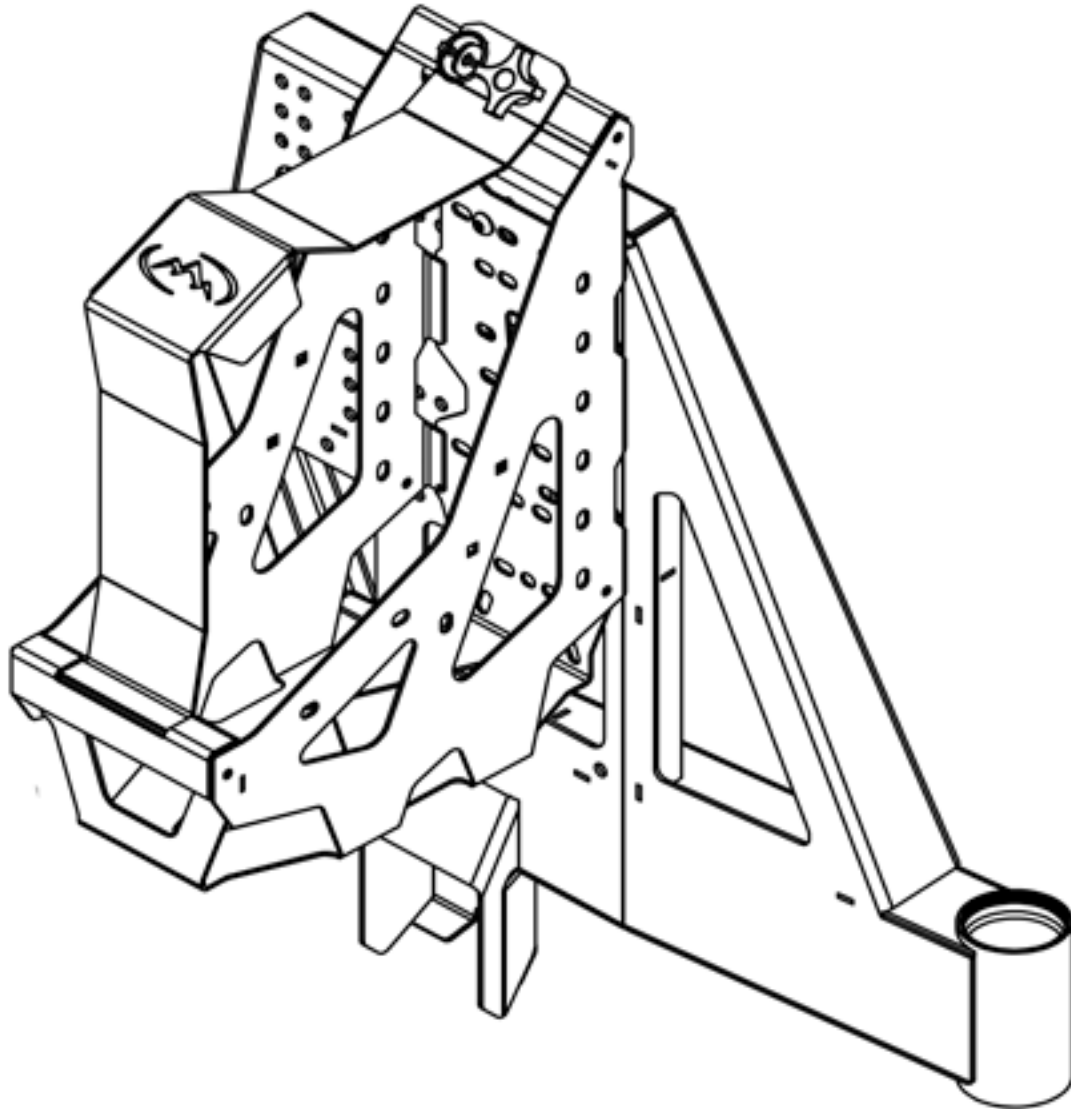


INSTALLATION GUIDE

DSTC NATO CAN MOUNT



CONTENTS

FOR USE ON DSTC SWING ARMS

HARDWARE

ITEM	QTY
DSTC Nato Can Mount	1
Hardware	
Nato Strap Mount	1
3/8"-16 X 1" Button Head Bolt	1
3/8"-16 Nyloc Nut	4
3/8" USS Wssher	4
3/8"-16 Clip Nut	1
Lobe Knob	1
Linch Pin	1

* Not all products may work with Expedition One Geri

SKILL LEVEL - 2 STARS



1 STAR

EASY - No tools required

2 STARS

BASIC - Requires standard tools, basic mechanical knowledge and understanding

3 STARS

MODERATE - Requires standard tools. Some drilling and/or cutting.

4 STARS

ADVANCED - Requires speciality tools. Drilling, cutting, and/or welding

5 STARS

EXPERT - Professional installation recommended.

DISCLAIMER

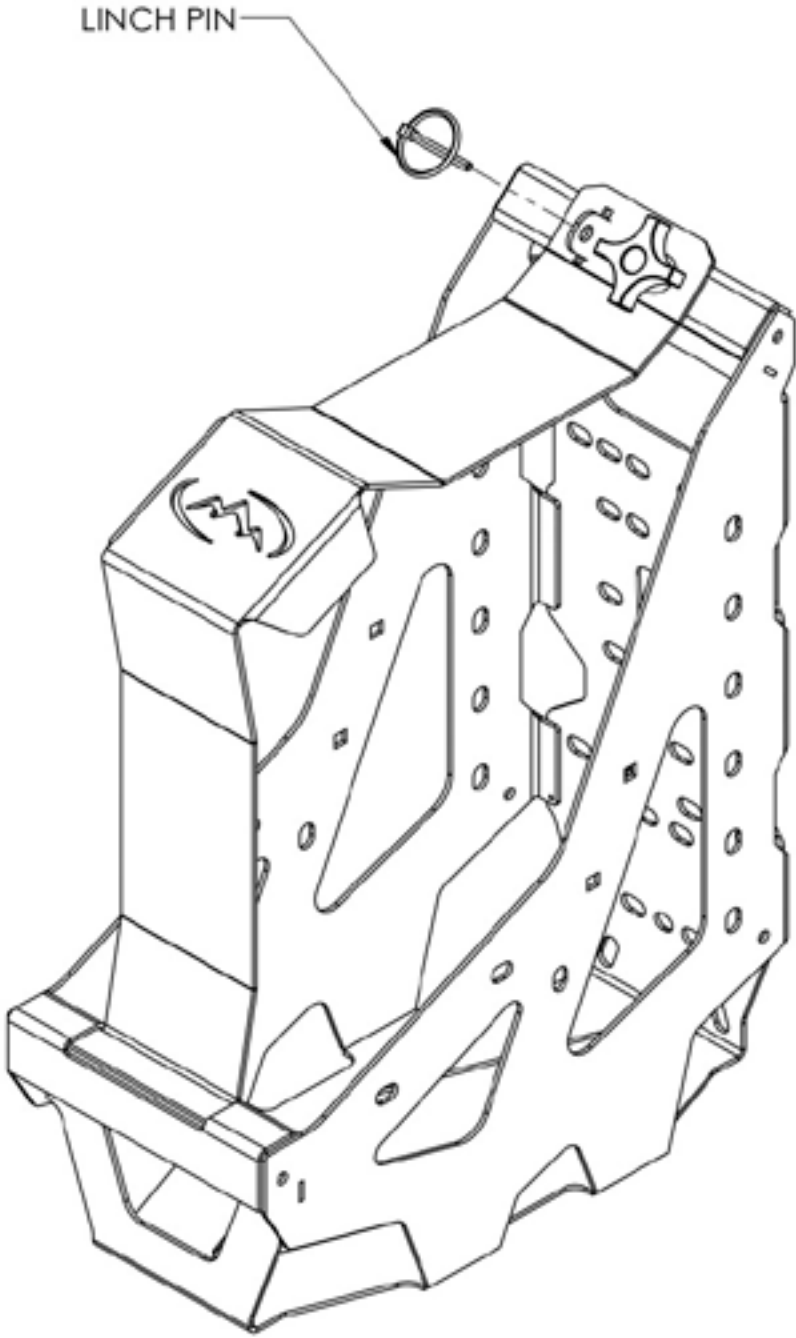
Expedition One is not responsible for any damages to vehicle or injury.
We always recommend professional assistance when installing our vehicle products.

Always follow safety precautions including the use safety gear and devices.

DSTC NATO CAN MOUNT

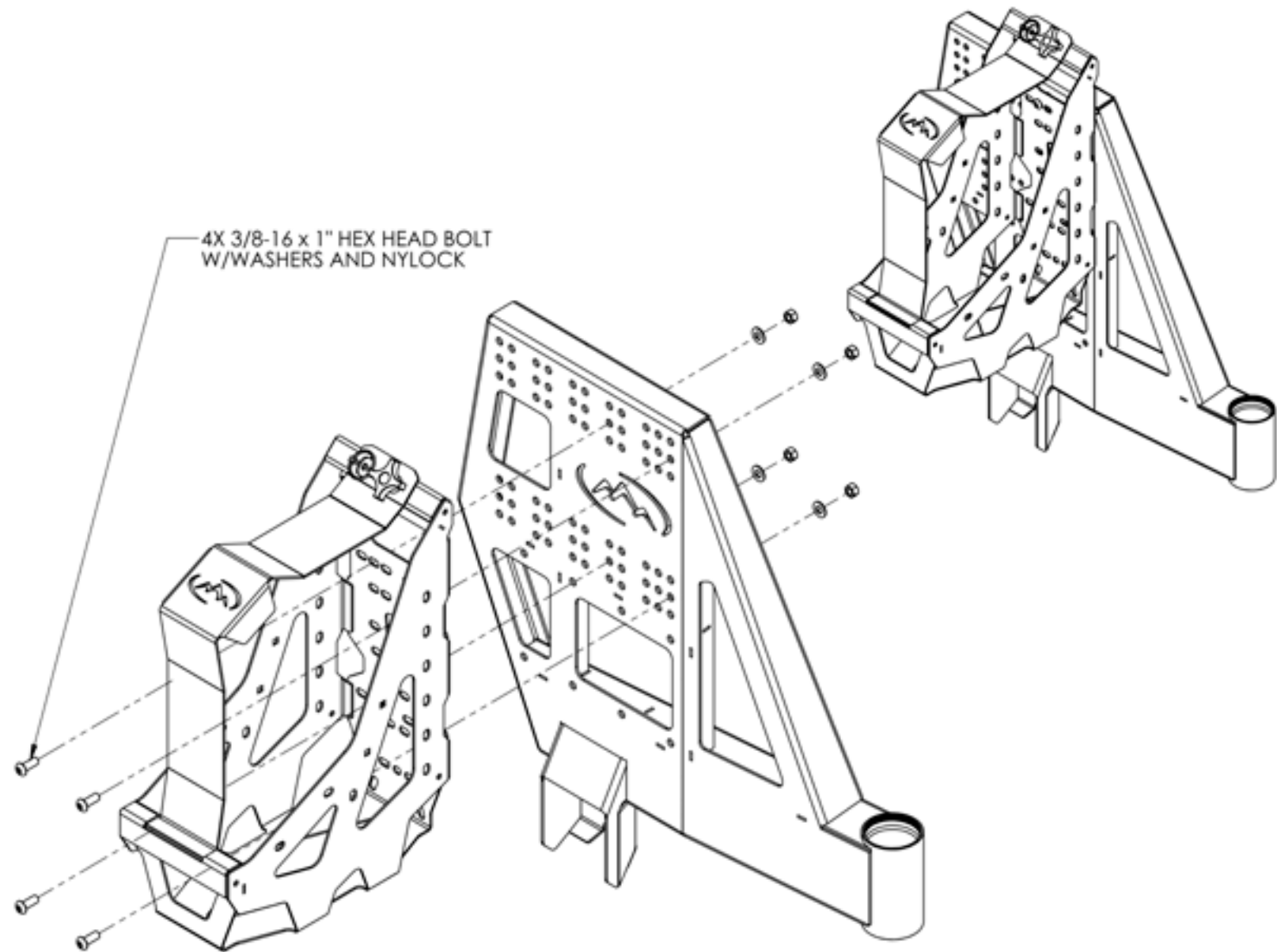
1 NATO CAN MOUNT

Assemble the Nato Can Mount as shown.



2 NATO CAN MOUNTING

Mount using the 3/8" hardware shown below to the location desired.



NOTE

Nato Can mount position is dependent on providing clearance for any hardware, accessories or OEM vehicle features such as lights. Test fit or check for any interference before mounting.