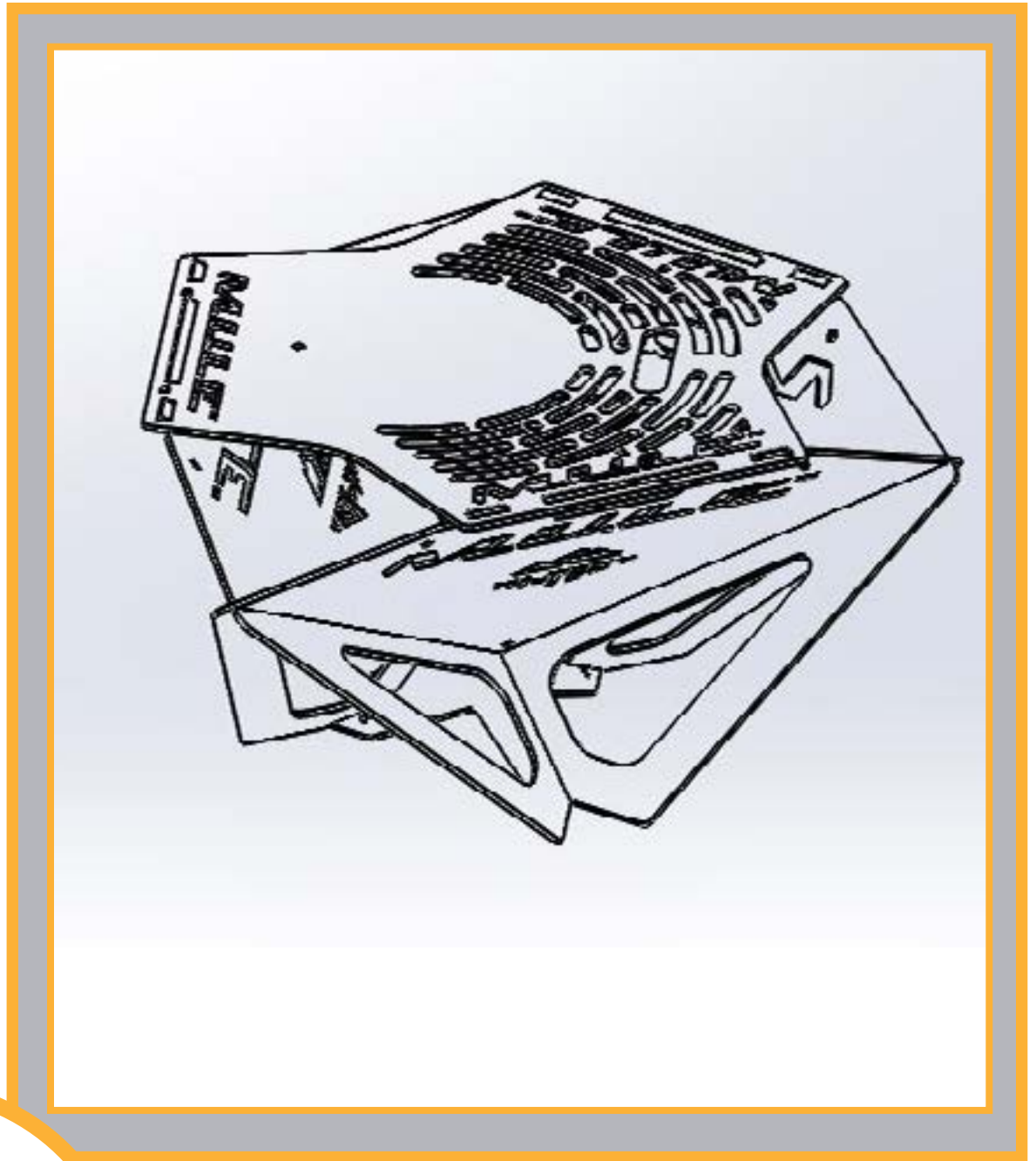




# PUZZLE PIT

LARGE PUZZLE

4 PIECES



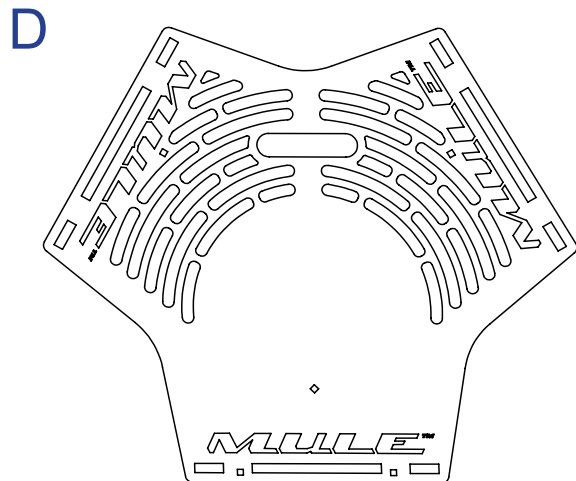
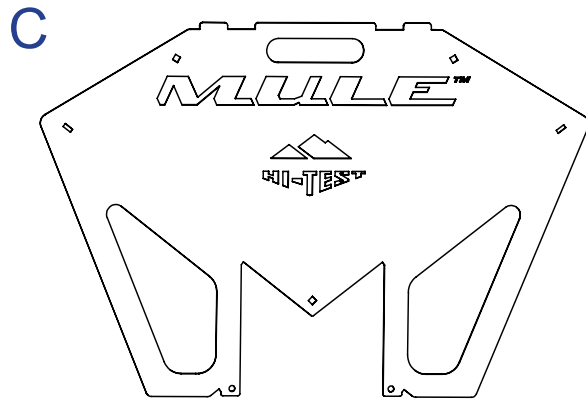
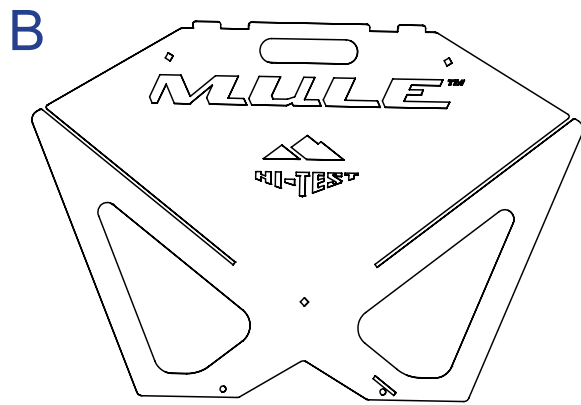
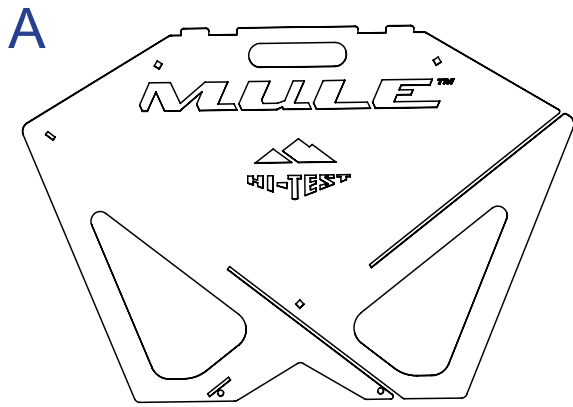
30x30x13 in. Puzzle

NOT ACTUAL SIZE  
EASY TO USE PIECES

MULE EQUIPPED

# CONTENTS

---



## PUZZLE PIECES

Piece A	1
Piece B	1
Piece C	1
Piece D (Food Grade Cooktop)	1

## HARDWARE

Locking Pins	6
5/16"-18 x 3/4" Carriage Bolts	3
5/16"-18 Knob	3

# DISCLAIMER

---

## SKILL LEVEL - 2 STARS



1 STAR

EASY - No tools required

2 STARS

BASIC - Requires standard tools, basic mechanical knowledge and understanding

3 STARS

MODERATE - Requires standard tools. Some drilling and/or cutting.

4 STARS

ADVANCED - Requires speciality tools. Drilling, cutting, and/or welding

5 STARS

EXPERT - Professional installation recommended.

## WARNING: SAFETY DISCLAIMER - PLEASE READ

No claims, representations or warranties, whether expressed or implied, are made by the company as to the safety, reliability, durability and performance of any of Company's products. Furthermore, Company accepts no liability whatsoever for the safety, reliability, durability and performance of any of its products.

In no event shall the Company be liable for any direct, indirect, punitive, incidental, special consequential damages, to property or life, whatsoever, arising out of or connected with the use or misuse of our products.

You the Customer assume all responsibility for using each product as it is intended. Puzzle Pit and associated products require Customer assembly. Please use all caution when assembling products with sharp edges. Customer acknowledges that these products involve risks and assumes all risks associated with them, including risks associated with the use of these products by other persons as well as those persons' negligent and/or intentional acts or omissions.

Do not place these products on a hill or incline. These products are not toys and are for adult use only. Do not attempt to ride in or on one of these products. When using as a fire receptacle, steel will become extremely hot. Keep all flammables away from the product and do not touch steel when a fire is present. Do not light a fire in these products when it is placed on a wood or other flammable surface. Follow all applicable laws and safety recommendations when using this product.

Company assumes no responsibility for inhalation of fumes or any other chemicals that may exude from the product. Company does not recommend any alterations to the product and Customer makes any alterations at their own risk.

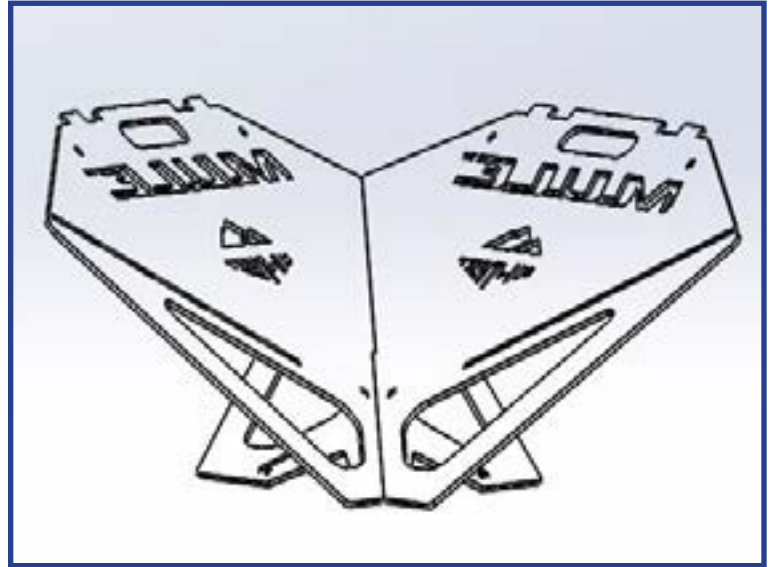
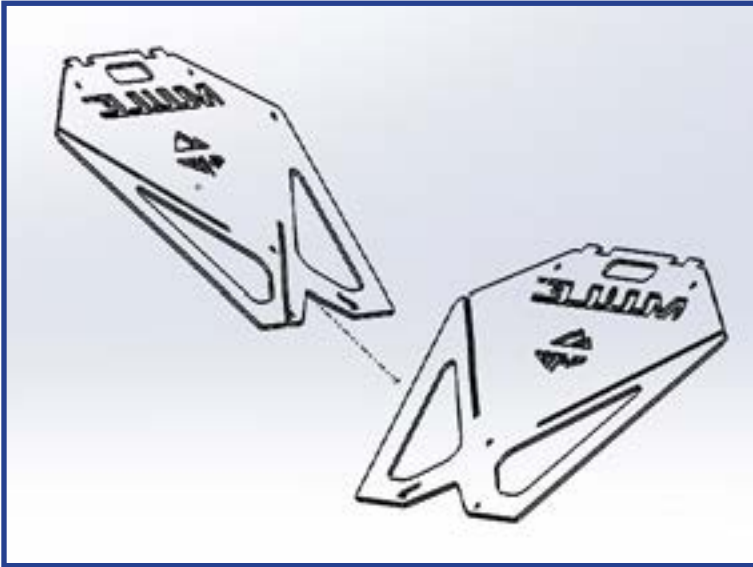
Any direct, indirect, punitive, incidental, special consequential damages, to property or life arising from the alteration of a product is assumed by Customer. The Company shall not be liable for said failure.

Follow all State and Local laws related to fires including codes and ordinances.

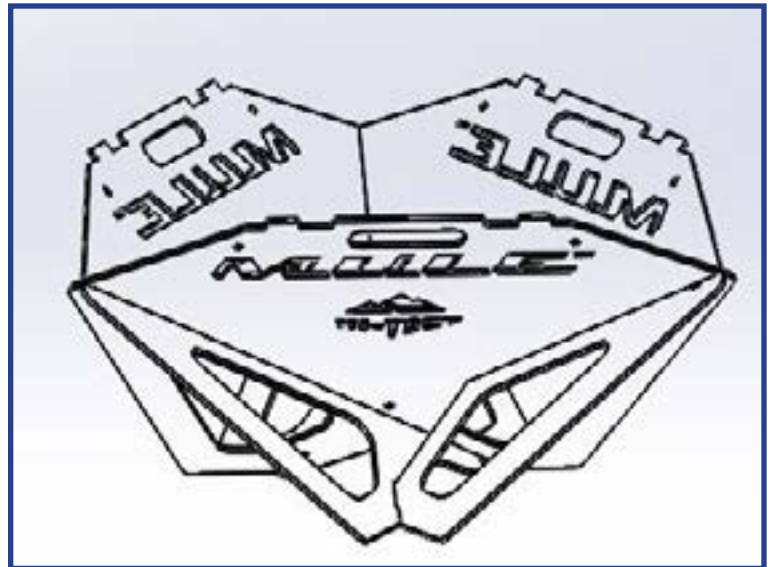
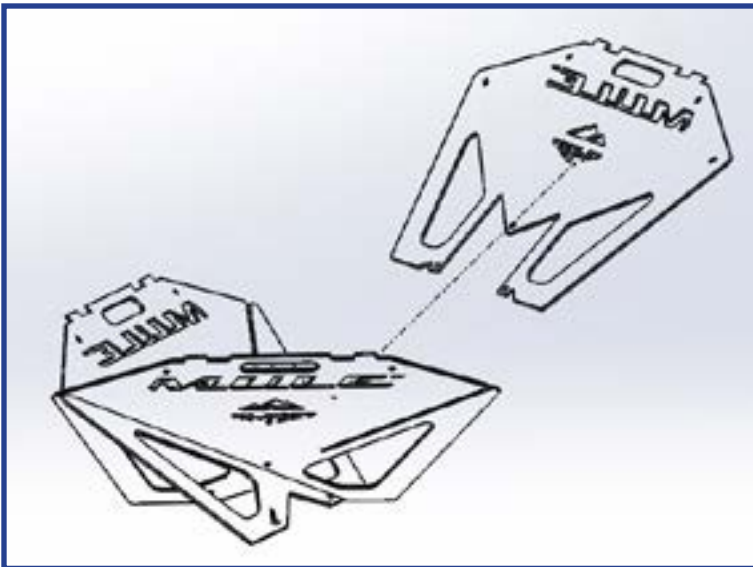
Safely extinguish all fires and allow metal to cool before handling.

# ASSEMBLY

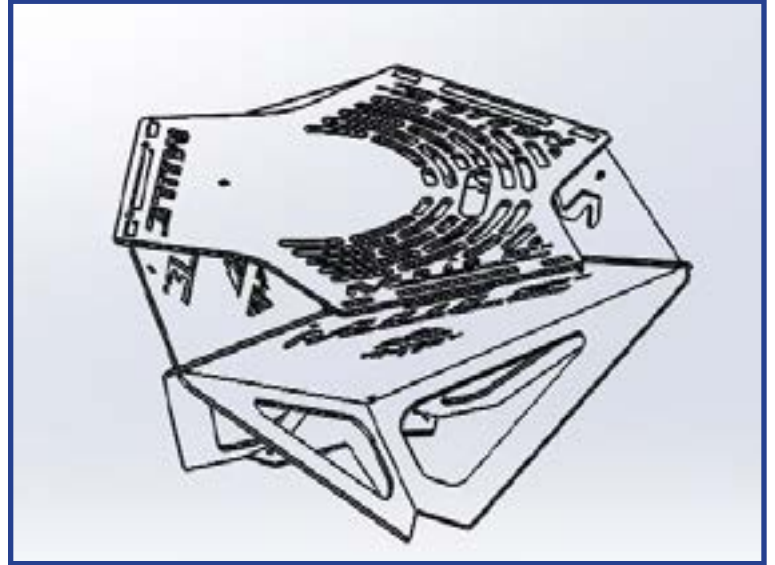
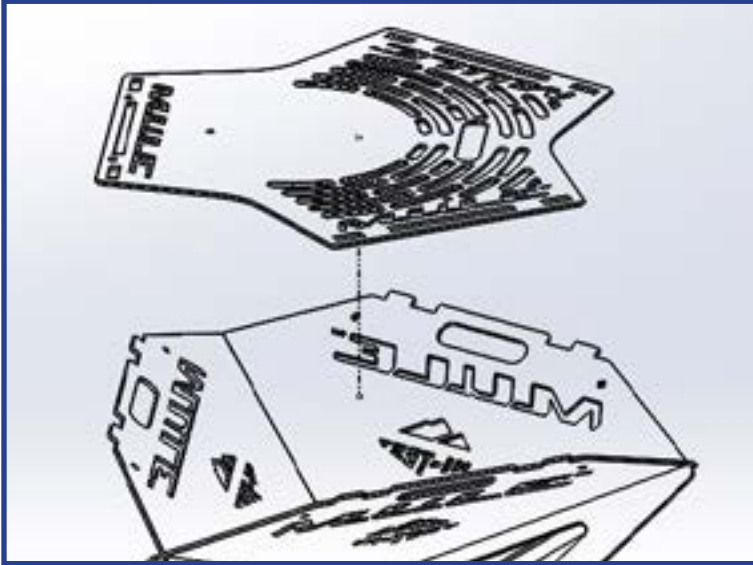
1 A to B Slide piece A into the slot of piece B.



2 C to AB Insert piece C into the slots of pieces A and B.



3 D to ABC Place piece D onto top of pieces A, B, and C.



4 Attach locking pins on corners.



5 Disassemble and align the square ports (circled).  
Mount together using the provided 5/16" hardware for carrying and storage.

