

INSTALLATION GUIDE

FORD RANGER ROCKER GUARD



CONTENTS

HARDWARE

ITEM	QTY
Ranger Rocker Guards	2
Ranger Rocker Guard Hardware Kit	1
3/8" - 16 X 1 1/4" Hex Cap Bolt	24
3/8" - 16 X 4 1/2" Hex Cap Bolt	4
3/8" USS Washer	4
3/8" - 16 Nyloc Nut	4
1/2" - 13 X 1 1/4" Hex Cap Bolt	6
1/2" - 13 X 5" Hex Cap Bolt	4
1/2" - 13 Nyloc Nut	10
Rectangle Spacer	4
Oval Spacer	2

SKILL LEVEL - 4 STARS



- 1 STAR
- 2 STARS
- 3 STARS
- 4 STARS
- 5 STARS

- EASY - No tools required
- BASIC - Requires standard tools, basic mechanical knowledge and understanding
- MODERATE - Requires standard tools. Some drilling and/or cutting.
- ADVANCED - Requires speciality tools. Drilling, cutting, and/or welding
- EXPERT - Professional installation recommended.

DISCLAIMER

Expedition One is not responsible for any damages to vehicle or injury.
We always recommend professional assistance when installing our vehicle products.

Always follow safety precautions including the use safety gear and devices.

ROCKER GUARD ASSEMBLY

1 REMOVE OEM STEPS

Remove any aftermarket features including OEM steps from the vehicle. These mount to the vehicle body as shown.



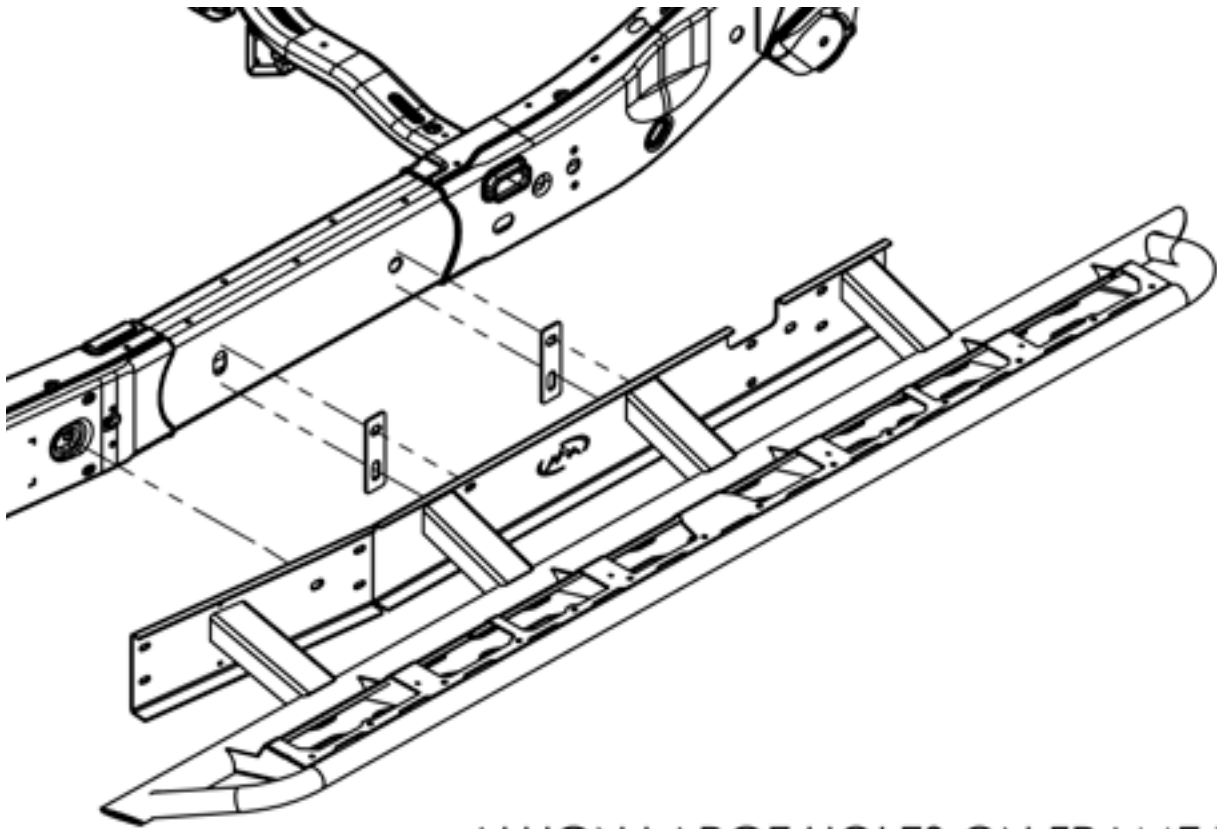
2 TREAD PLATE INSTALLATION

Mount the provided tread plates to the rocker guards. Mount using the provided 1/4"-20 hardware.

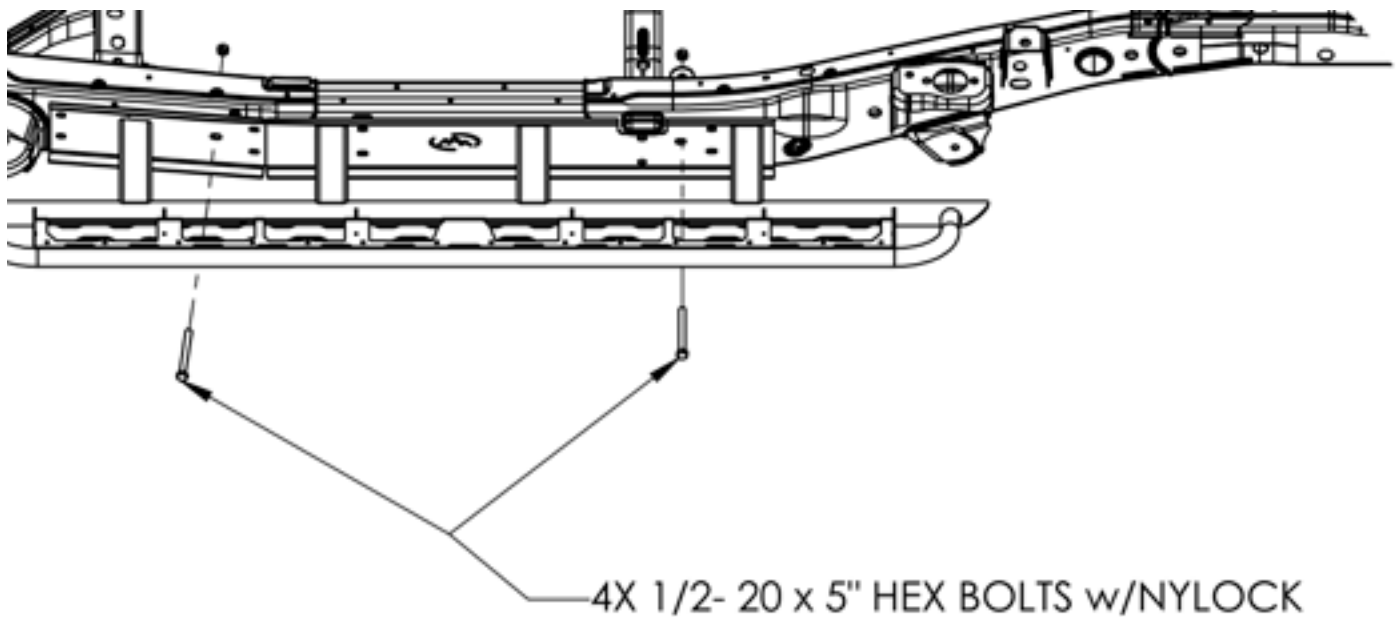
3 ROCKER GUARD PLACEMENT

Align the rocker guard as shown including the spacers to find the location of mounting. Once in place mark each hole location for drilling. Remove rocker guard when finished. Repeat for other side. Use these spacer locations and hardware shown for mounting (see step 5).

SEE NEXT PAGE FOR DRAWINGS



ALIGN LARGE HOLES ON FRAME WITH HOLES ON ROCKER GUARD.

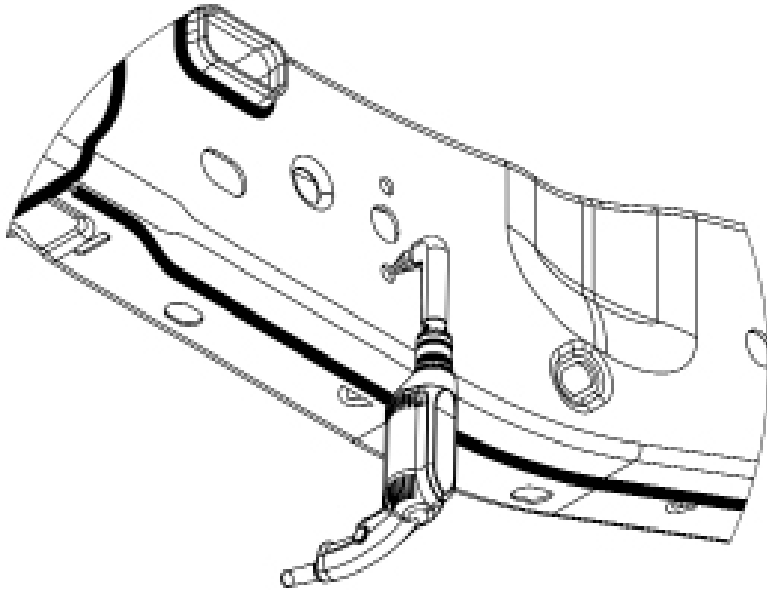


4X 1/2- 20 x 5" HEX BOLTS w/NYLOCK

MARK HOLES IN ALL SLOTS FOR FUTURE DRILLING

4 DRILL HOLE LOCATIONS

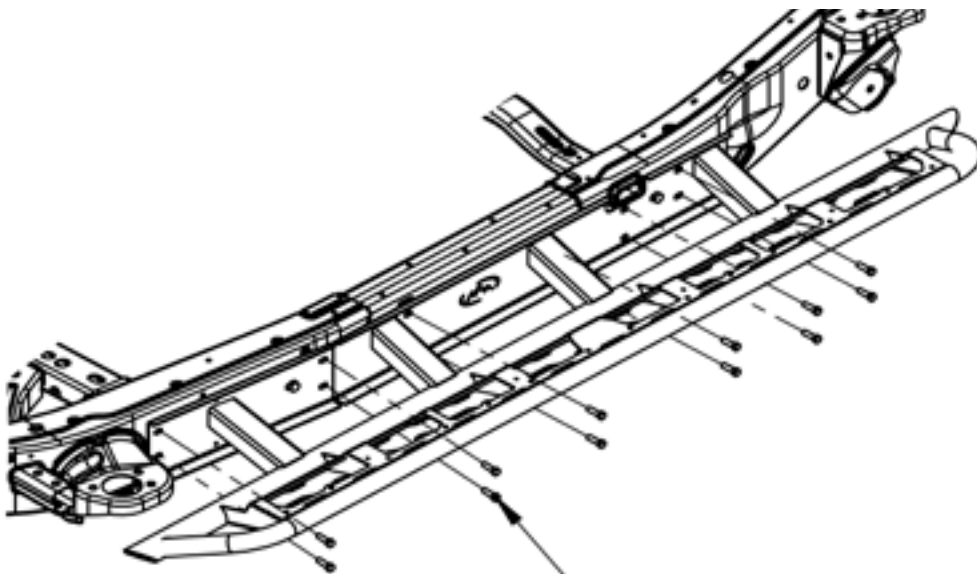
Drill the all marked hole locations as shown to fit 3/8" hardware. Recommended that a angle drill be used and all drilled locations be touched up to prevent rust. Some addition cutting or drilling my be required to make sure hole locations line up.



USE ANGLE DRILL ATTACHMENT TO DRILL AT MARKED LOCATION 5

5 INSTALLATION

Insert the provided clip nuts and mount the rocker guards and install using the provided hardware as shown. Use the provided spacers and hardware as shown in step 3. Leave all hardware loose for adjustment before tightening.



24x 3/8-16 x 1.25" HEX NUT w/CLIP NUTS