

# INSTALLATION GUIDE

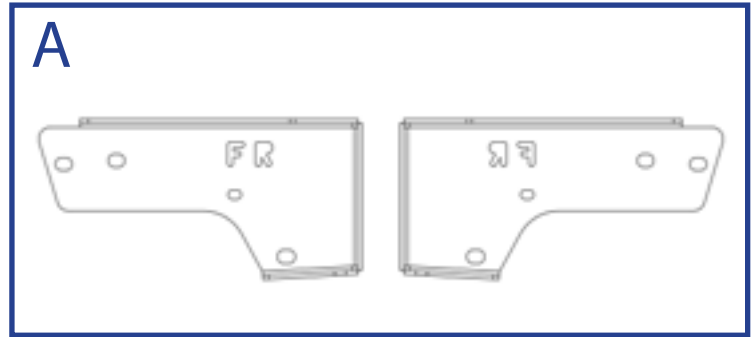
## FORD RANGER REAR BUMPER



# CONTENTS

## HARDWARE

ITEM	QTY
<u>A</u> Rear Bumper Mounts	2
Ranger Rear Bumper Hardware Kit	1
3/8" - 16 X 4 1/2" Hex Cap Bolt	4
3/8" USS Washer	4
3/8" - 16 Nyloc Nut	4
1/2" - 13 X 1 1/4" Hex Cap Bolt	6
1/2" - 13 X 5" Hex Cap Bolt	4
1/2" - 13 Nyloc Nut	10
<u>B</u> License Plate Light Kit	
LED Light with Wiring	2
Male Connector	4
Female Connector	4
<u>C</u> Mid-Size Truck Drop Pin Plates	2
<u>C</u> Drop Pins	2
DSTC Tread Plate	1
Tread Plate Hardware	1
1/4"-20 X 3/4" Hex Drive Button Head 20	
1/4"-20 Nylock Nuts 20	
Rear Bumper Sensor Plugs	4



## SKILL LEVEL - 4 STARS



- 1 STAR    ★☆☆☆☆
- 2 STARS   ★★☆☆☆
- 3 STARS   ★★★☆☆
- 4 STARS   ★★★★☆
- 5 STARS   ★★★★★

- EASY - No tools required
- BASIC - Requires standard tools, basic mechanical knowledge and understanding
- MODERATE - Requires standard tools. Some drilling and/or cutting.
- ADVANCED - Requires speciality tools. Drilling, cutting, and/or welding
- EXPERT - Professional installation recommended.

## DISCLAIMER

Expedition One is not responsible for any damages to vehicle or injury.  
 We always recommend professional assistance when installing our vehicle products.

Always follow safety precautions including the use safety gear and devices.

# REAR BUMPER REMOVAL

---

## 1 REMOVAL OF SENSORS AND LIGHTING

Disconnect the wiring harness for the rear bumper. Remove both license plate light units and all four rear sensors from the bezels. Also the trailer plug will need to be disconnected.



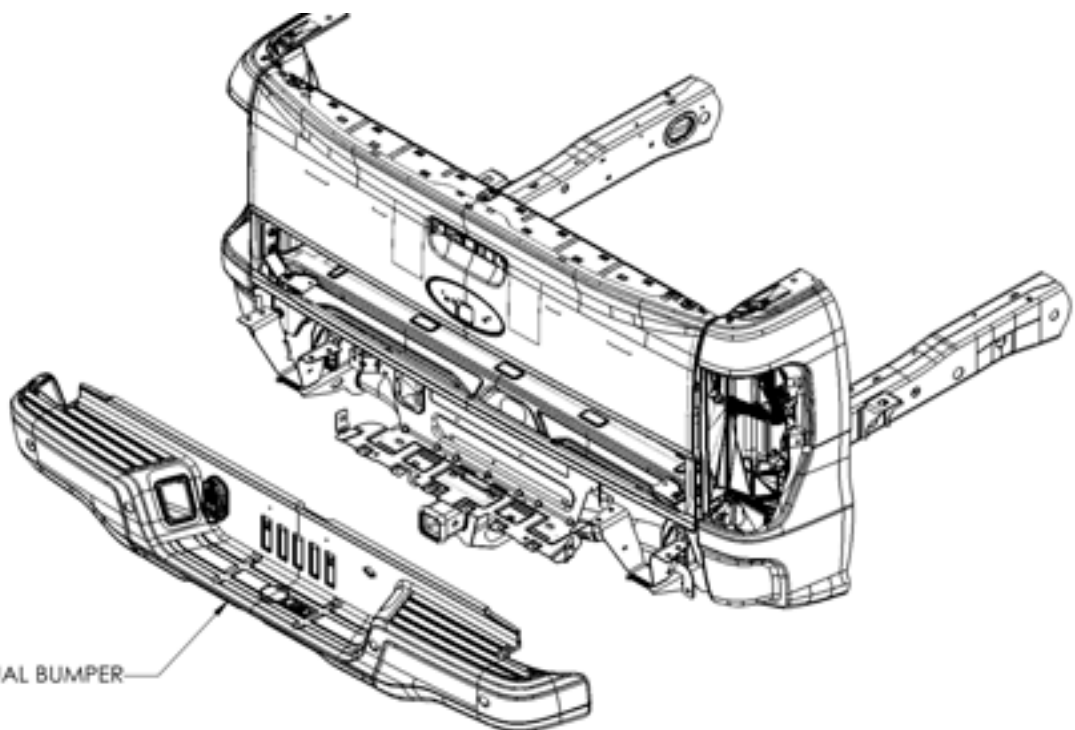
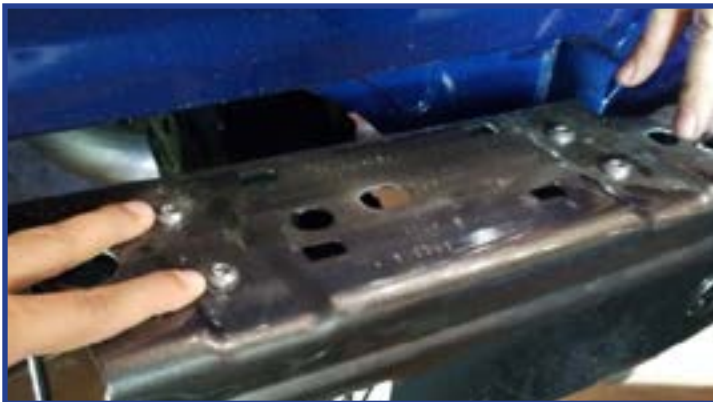
## 2 TREAD PLATE DISASSEMBLY

Remove the clips located behind the license plate and bottom of the bumper. A flat head screw driver will be required to undo the plastic clips underneath. Once completed remove the tread plate by pulling it away from the rear bumper. Check for any remaining or missed clips as you disconnect the tread plate.



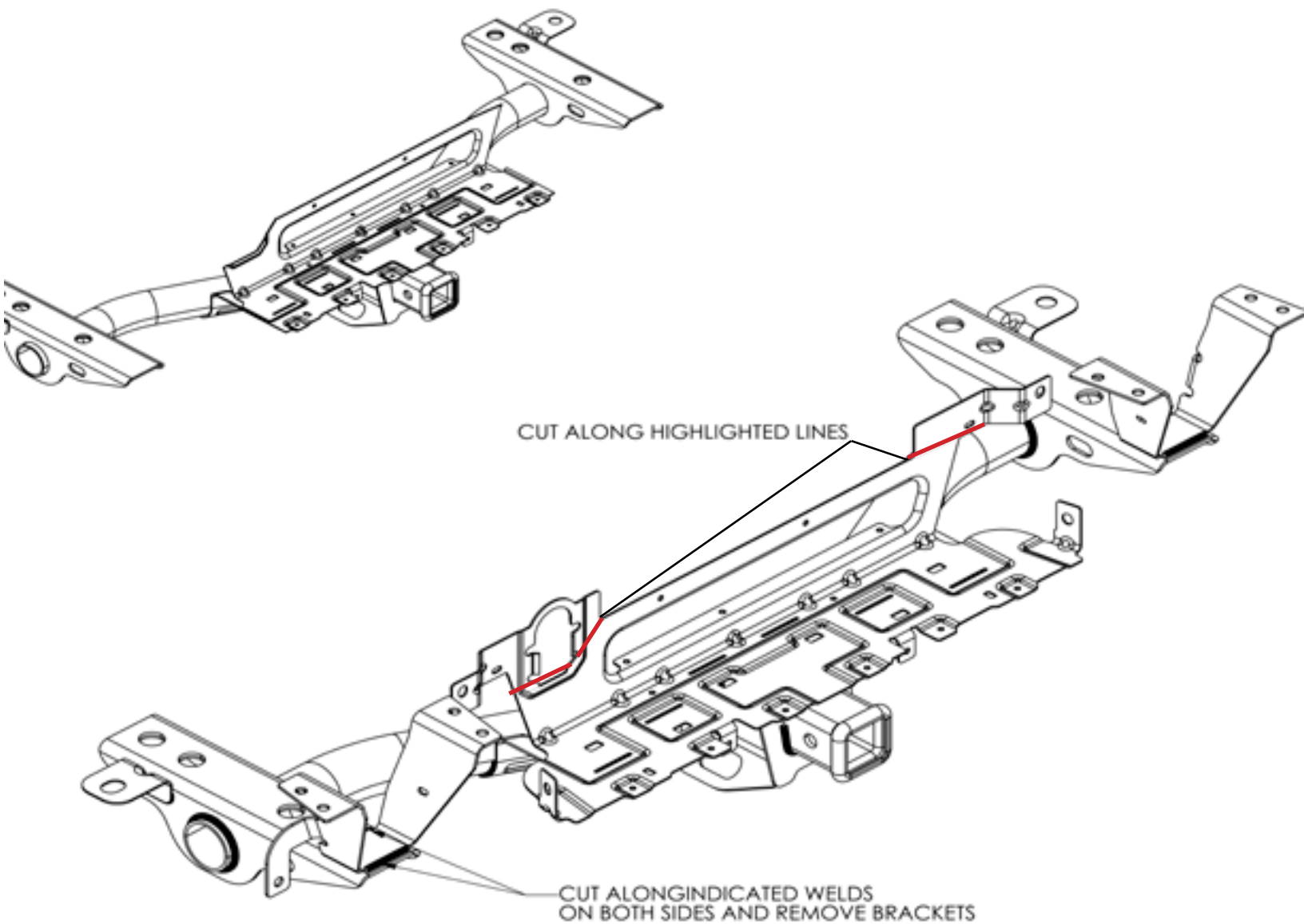
### 3 BUMPER REMOVAL

With the tread plate removed, undo the OEM hardware located on both sides. Also remove both bolts located on each bottom corner. Pull out the remain hardware located near the hitch reciever and remove the rear bumper



## 4 MOUNT REMOVAL AND TRIMMING

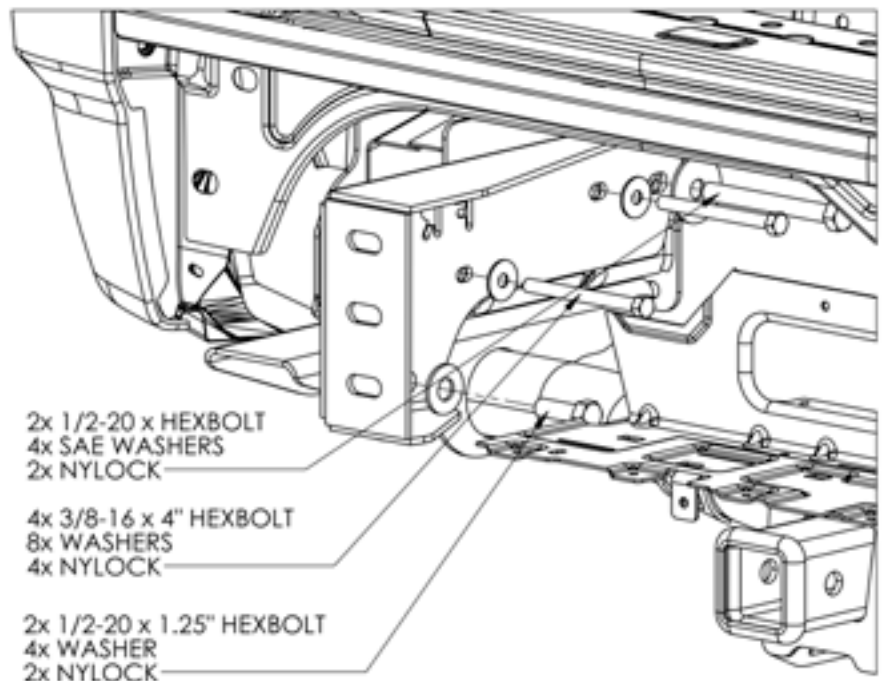
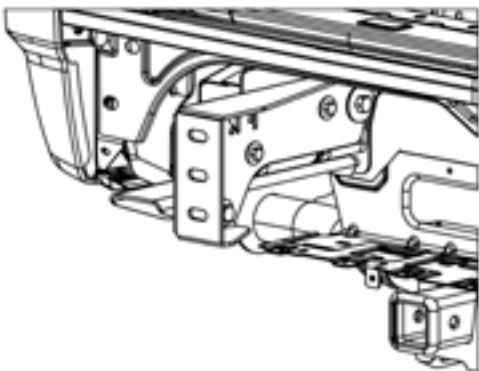
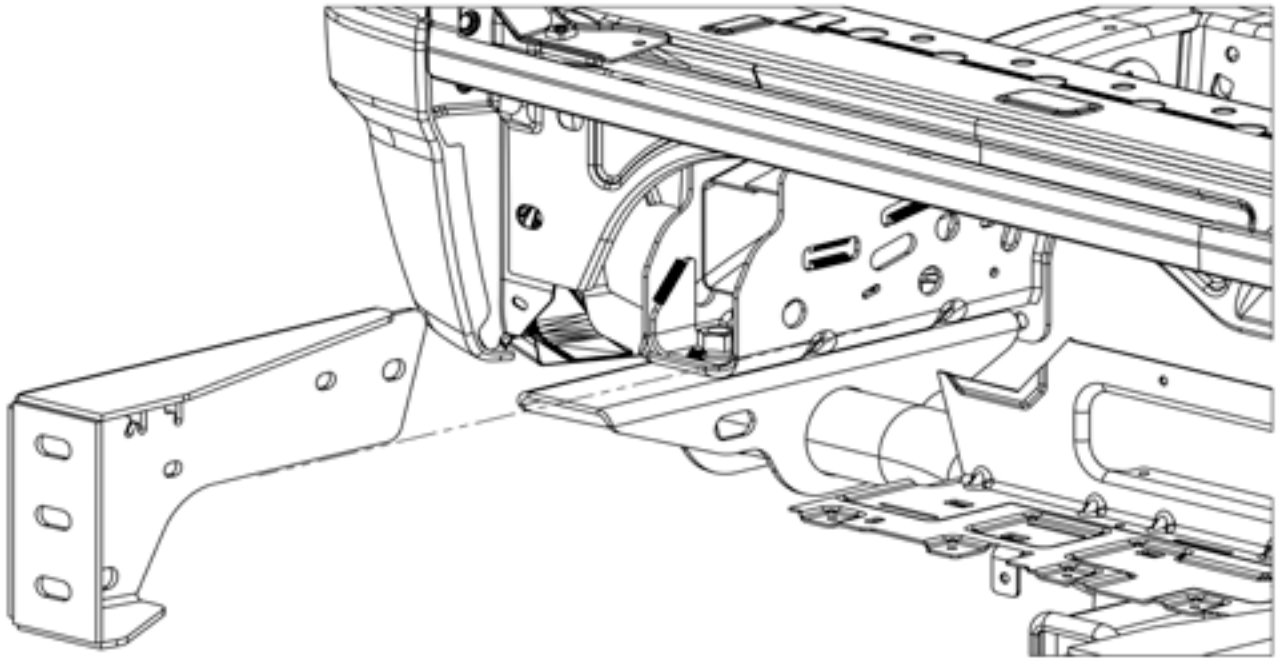
Cut off the V-mounts located on both sides along the welded seams as shown below. Trim along the highlighted lines to remove the hitch plug and mount tab from the upright panel.



# REAR BUMPER INSTALLATION

## 5 FRAME MOUNT INSTALLATION

Place the rear frame mount on the inside of the frame and attach using the hardware as shown below. The rear most hole will use the 1/2"-20 x hex cap bolts while the bottom hole uses the shorter 1/2"-20 X 1 1/4" hex cap bolts. Both center holes mount using the provided 3/8-16 X 4" hex bolts. Repeat for the other side of the vehicle and leave the hardware loose for adjustment. Tighten after the bumper is installed.



## 6 BUMPER MOUNTING

Place the bumper onto mounts and insert the bumper mounting hardware as shown below. Center and align the bumper with the rear of the vehicle. Check for fitment and that gaps are evenly spaced and positioned with. Once completed tighten all mounting and bumper hardware. Reinsert all sensors and the trailer hitch plug. Install the provided license plate lights and reconnect the wiring harness.

