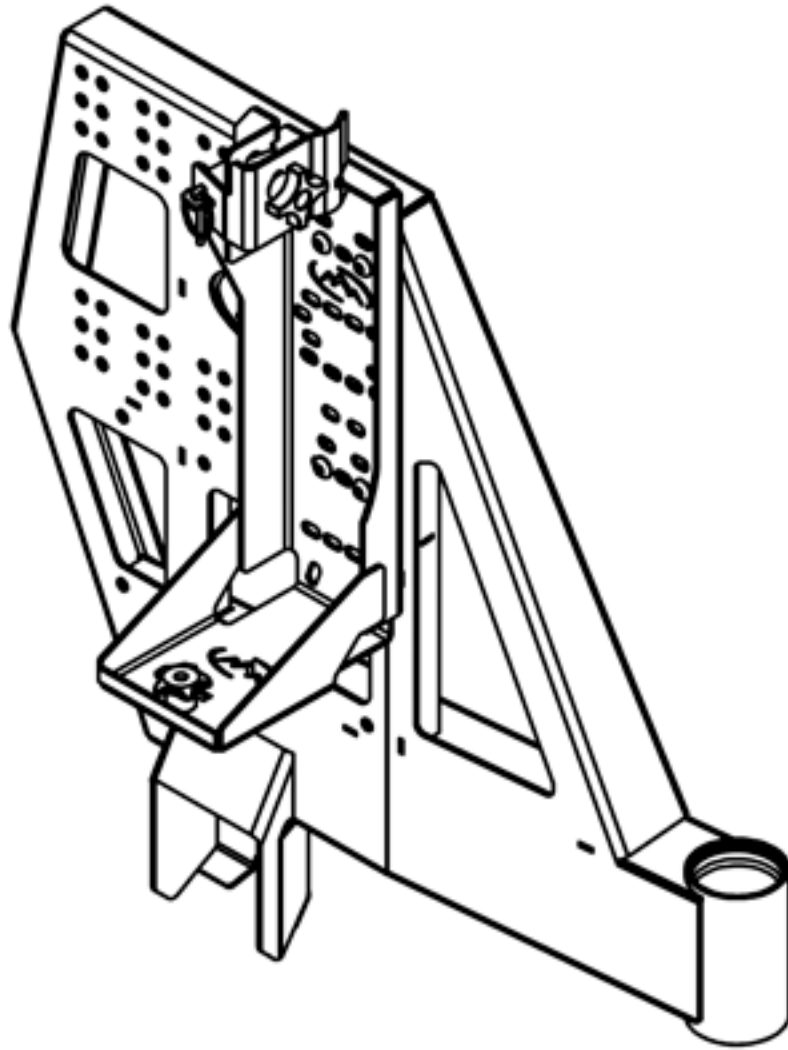


INSTALLATION GUIDE

DSTC HI LIFT MOUNT



CONTENTS

FOR USE ON DSTC SWING ARMS

HARDWARE

ITEM	QTY
Hi Lift Mount	1
Hardware	
Hi-Lift Plate	1
Hi-Lift Knob	1
Hi-Lift Knob No Thread	1
5/16" - 18 X 1" Carriage Bolt	1
3/8" - 16 Clip Nut	1
Linch Pin	1
3/8"-16 X 1" Button Head Bolt	4
3/8"-16 Nyloc Nut	4
3/8" USS Wssher	4

SKILL LEVEL - 2 STARS



1 STAR

EASY - No tools required

2 STARS

BASIC - Requires standard tools, basic mechanical knowledge and understanding

3 STARS

MODERATE - Requires standard tools. Some drilling and/or cutting.

4 STARS

ADVANCED - Requires speciality tools. Drilling, cutting, and/or welding

5 STARS

EXPERT - Professional installation recommended.

DISCLAIMER

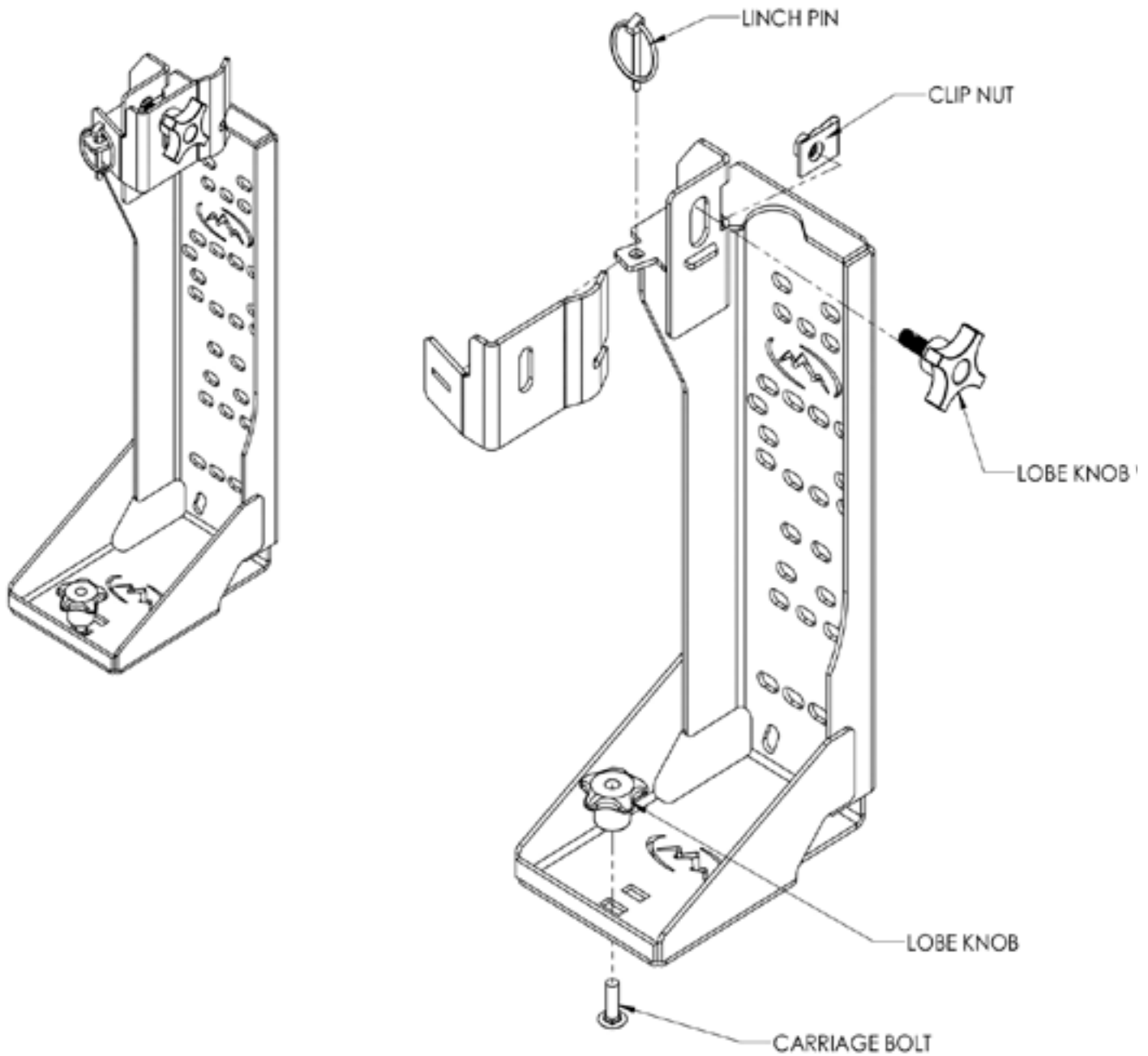
Expedition One is not responsible for any damages to vehicle or injury.
We always recommend professional assistance when installing our vehicle products.

Always follow safety precautions including the use safety gear and devices.

DSTC HI LIFT MOUNT

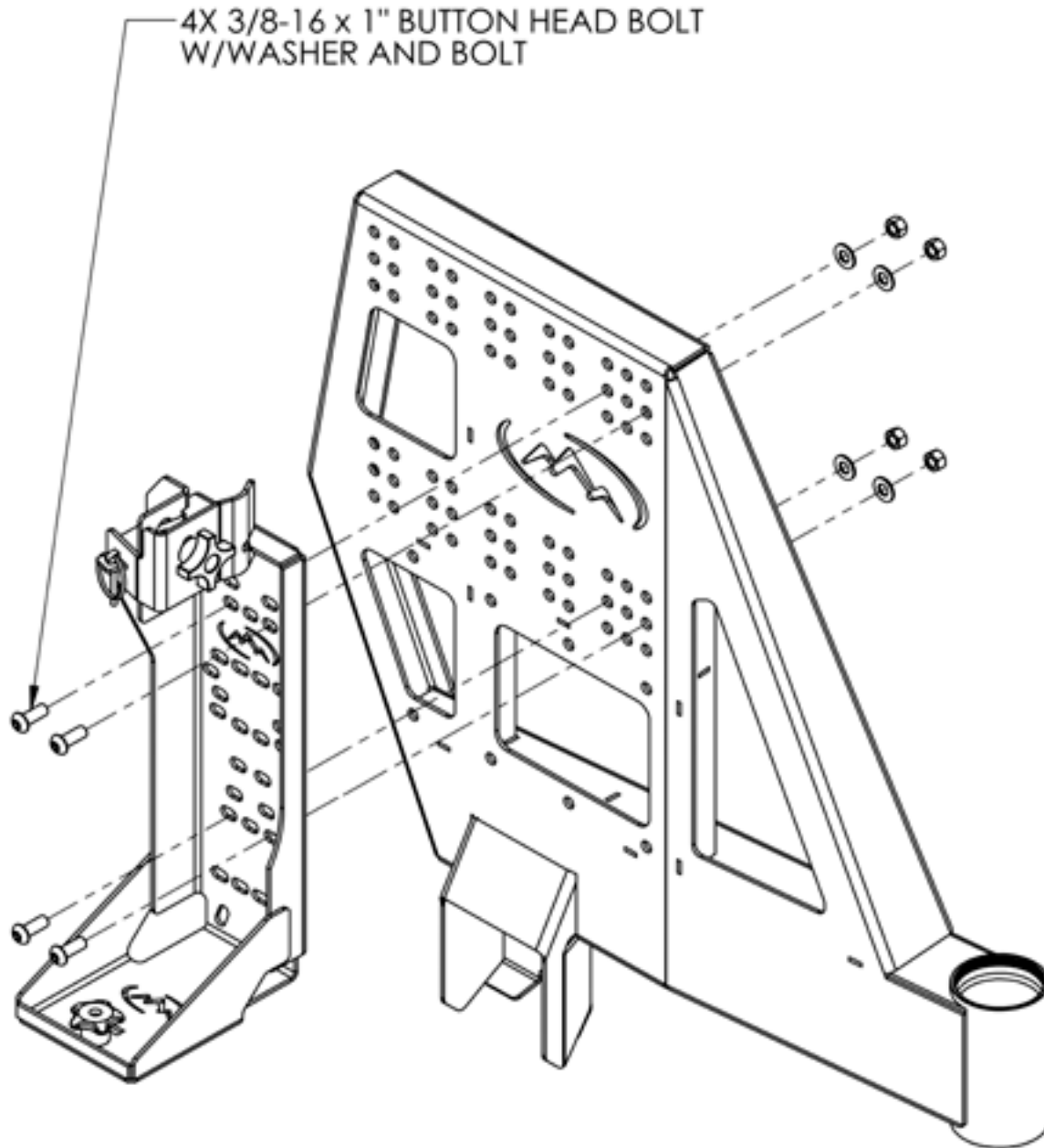
1 HI LIFT MOUNT

Assemble the Hi Lift Mount as shown.



2 HI LIFT MOUNTING

Mount using the 3/8" hardware shown below to the location desired.



NOTE

Hi Lift mount position is dependent on providing clearance for any hardware, accessories or OEM vehicle features such as lights. Test fit or check for any interference before mounting.