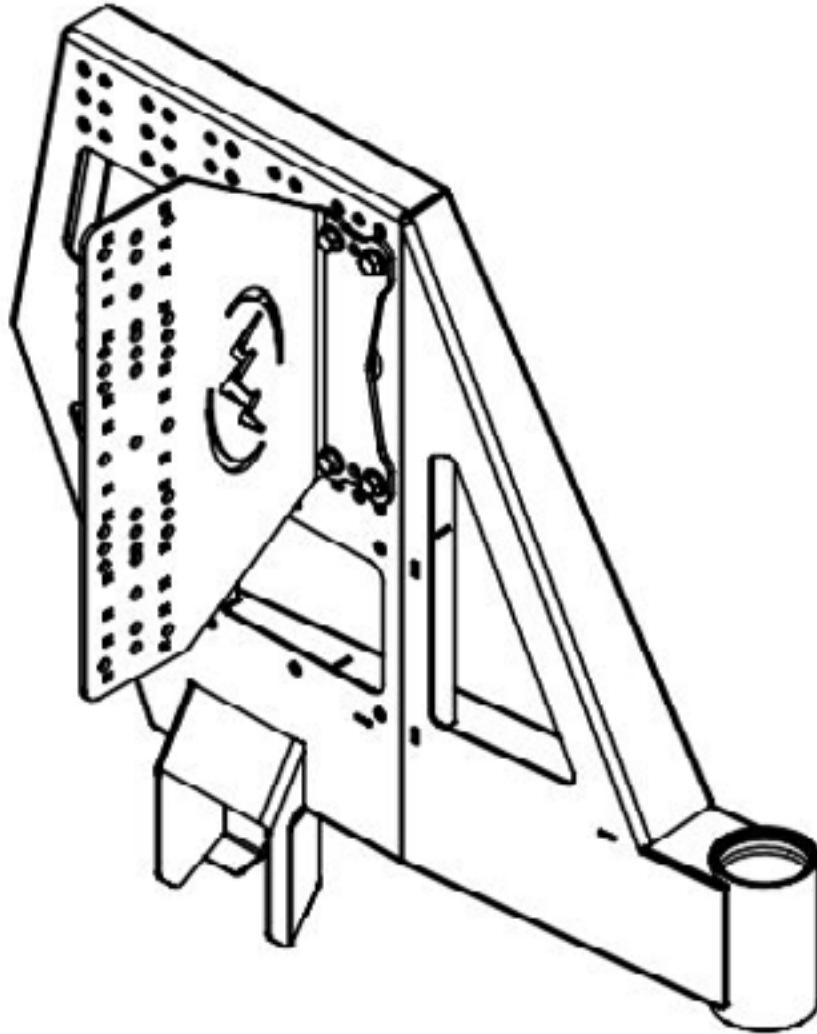


INSTALLATION GUIDE

DSTC GERI MOUNT



CONTENTS

FOR USE ON DSTC SWING ARMS

HARDWARE

ITEM	QTY
DSTC Geri Mount	1
Hardware	
3/8"-16 X 1" Button Head Bolt	4
3/8"-16 Nyloc Nut	4
3/8" USS Wssher	8

Latches and Extentions Sold Seperately

See the following instructions for associated hardware

For alternative brands and products mount using there specifed provided hardware.

* Not all products may work with Expedition One Geri mounts*

SKILL LEVEL - 2 STARS



1 STAR

EASY - No tools required

2 STARS

BASIC - Requires standard tools, basic mechanical knowledge and understanding

3 STARS

MODERATE - Requires standard tools. Some drilling and/or cutting.

4 STARS

ADVANCED - Requires speciality tools. Drilling, cutting, and/or welding

5 STARS

EXPERT - Professional installation recommended.

DISCLAIMER

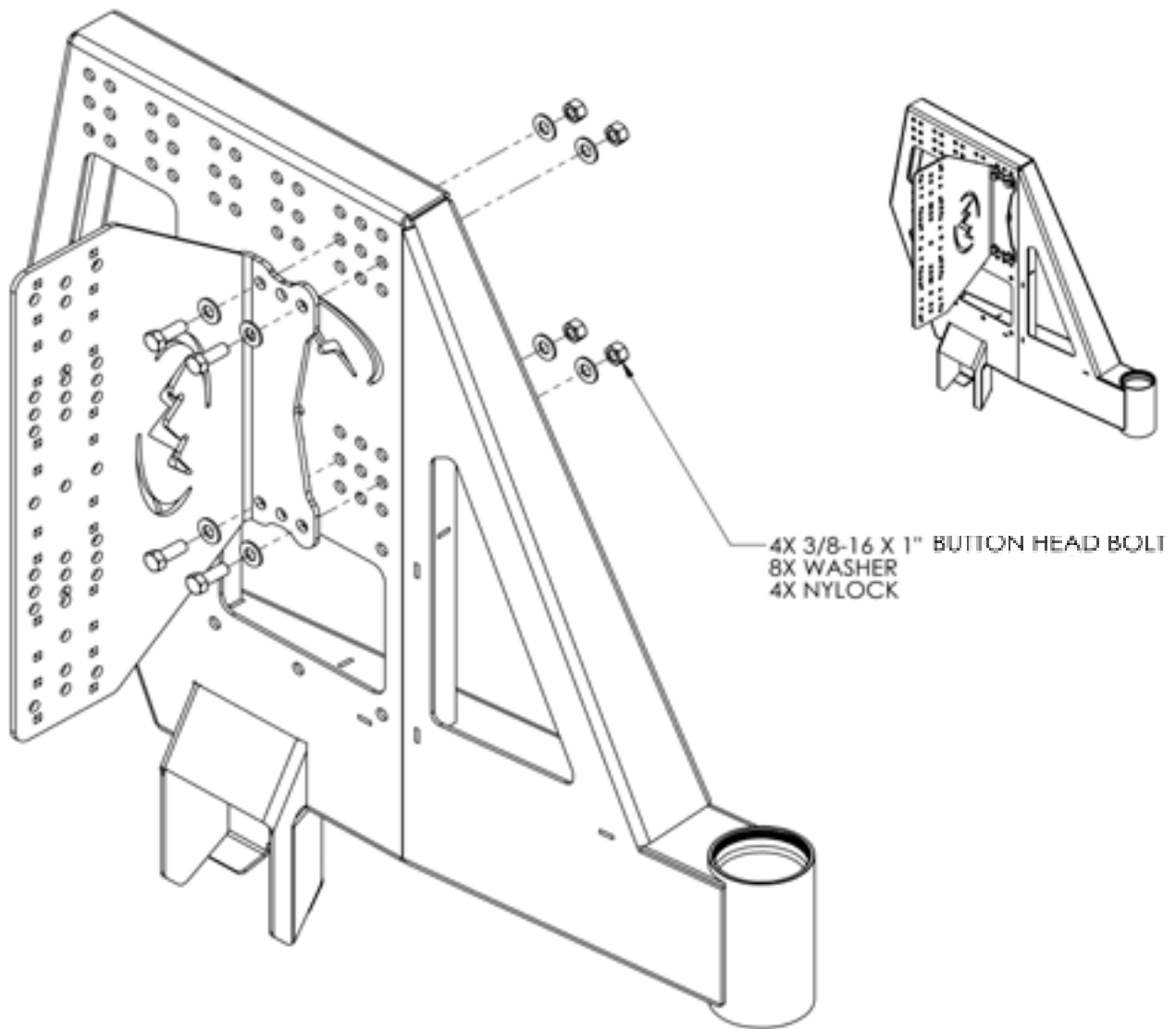
Expedition One is not responsible for any damages to vehicle or injury.
We always recommend professional assistance when installing our vehicle products.

Always follow safety procautions including the use safety gear and devices.

DSTC GERI MOUNT

1 GERI MOUNT INSTALLATION

Mount the Geri Mount in the desired location as shown with the 3/8" hardware provided.



NOTE

Geri mount position is dependent on providing clearance for any hardware, accessories or OEM vehicle features such as lights. Test fit or check for any interference before mounting.

LATCHES AND EXTENSIONS

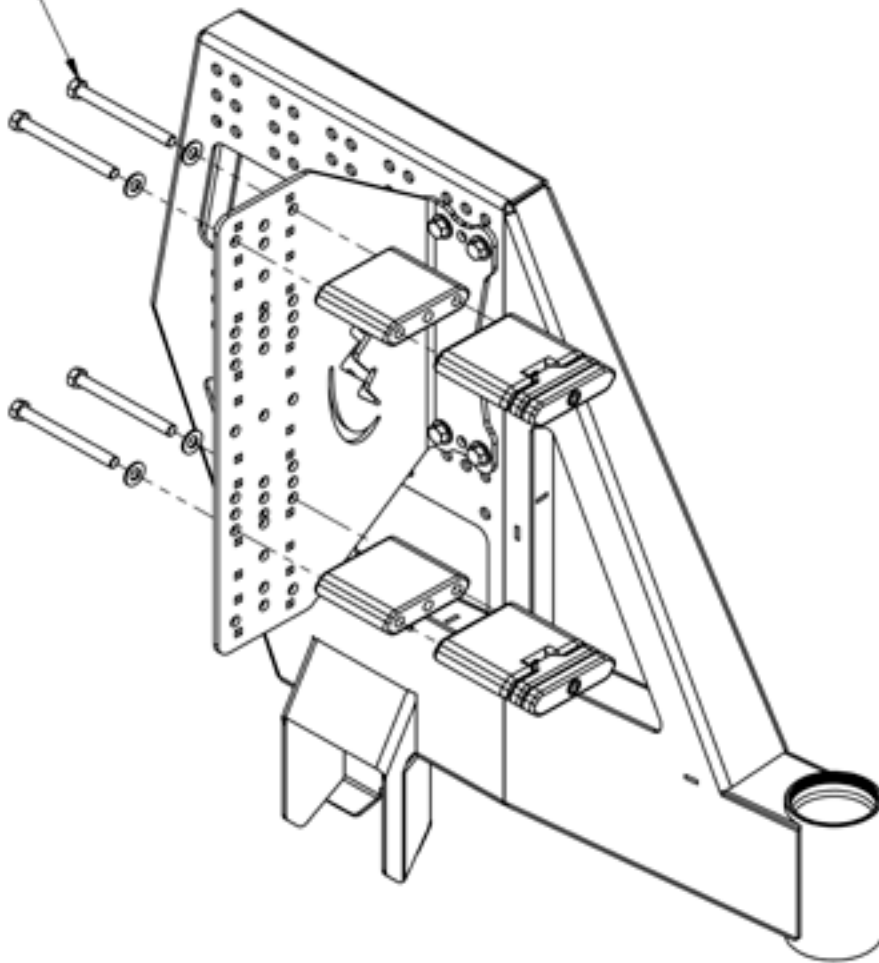
2 LATCH AND EXTENSION MOUNTING

Test fit the Geri Can in the desired location and mark the position for mounting the latches or extensions.

For 1 can mount both latches using the provided latch hardware

For 2 cans mount both the extensions and latches together using the provided latch extension hardware as shown below.

4X 3/8-16 X 4" BUTTON HEAD BOLT
4X WASHER



GERI CAN MOUNTING

3 GERI CAN ATTACHMENT

Once the Geri Can latches and extensions are mounted fit the geri cans into place. Rotate the latch and tightly secure into place.

