

# INSTALLATION GUIDE

## CHEVROLET COLORADO SKID PLATE



# CONTENTS

---

## HARDWARE

| ITEM                                  | QTY |
|---------------------------------------|-----|
| <b>A</b> Colorado Front Skid Plate    | 1   |
| <b>B</b> Colorado Rear Skid Plate     | 1   |
| <b>C</b> Skid Plate Mounting Brackets | 2   |
| Mounting Hardware                     |     |
| 3/8" - 16 X 1" Button Head Bolts      | 2   |
| 3/8" - 16 X 3 1/2" Hex Head Bolts     | 2   |
| 3/8" USS Washer                       | 6   |
| 3/8" - 16 Clip Nuts                   | 2   |
| 3/8" - 16 Nyloc Nuts                  | 2   |
| 1/2" - 13 X 1 1/4" Hex Cap Bolts      | 4   |
| 1/2" - 13 Nyloc Nut                   | 4   |



## SKILL LEVEL - 4 STARS



- 1 STAR    ★☆☆☆☆
- 2 STARS   ★★☆☆☆
- 3 STARS   ★★★☆☆
- 4 STARS   ★★★★☆
- 5 STARS   ★★★★★

- EASY - No tools required
- BASIC - Requires standard tools, basic mechanical knowledge and understanding
- MODERATE - Requires standard tools. Some drilling and/or cutting.
- ADVANCED - Requires speciality tools. Drilling, cutting, and/or welding
- EXPERT - Professional installation recommended.

## DISCLAIMER

Expedition One is not responsible for any damages to vehicle or injury.  
 We always recommend professional assistance when installing our vehicle products.

Always follow safety precautions including the use safety gear and devices.

# SKID PLATE INSTALLATION

---

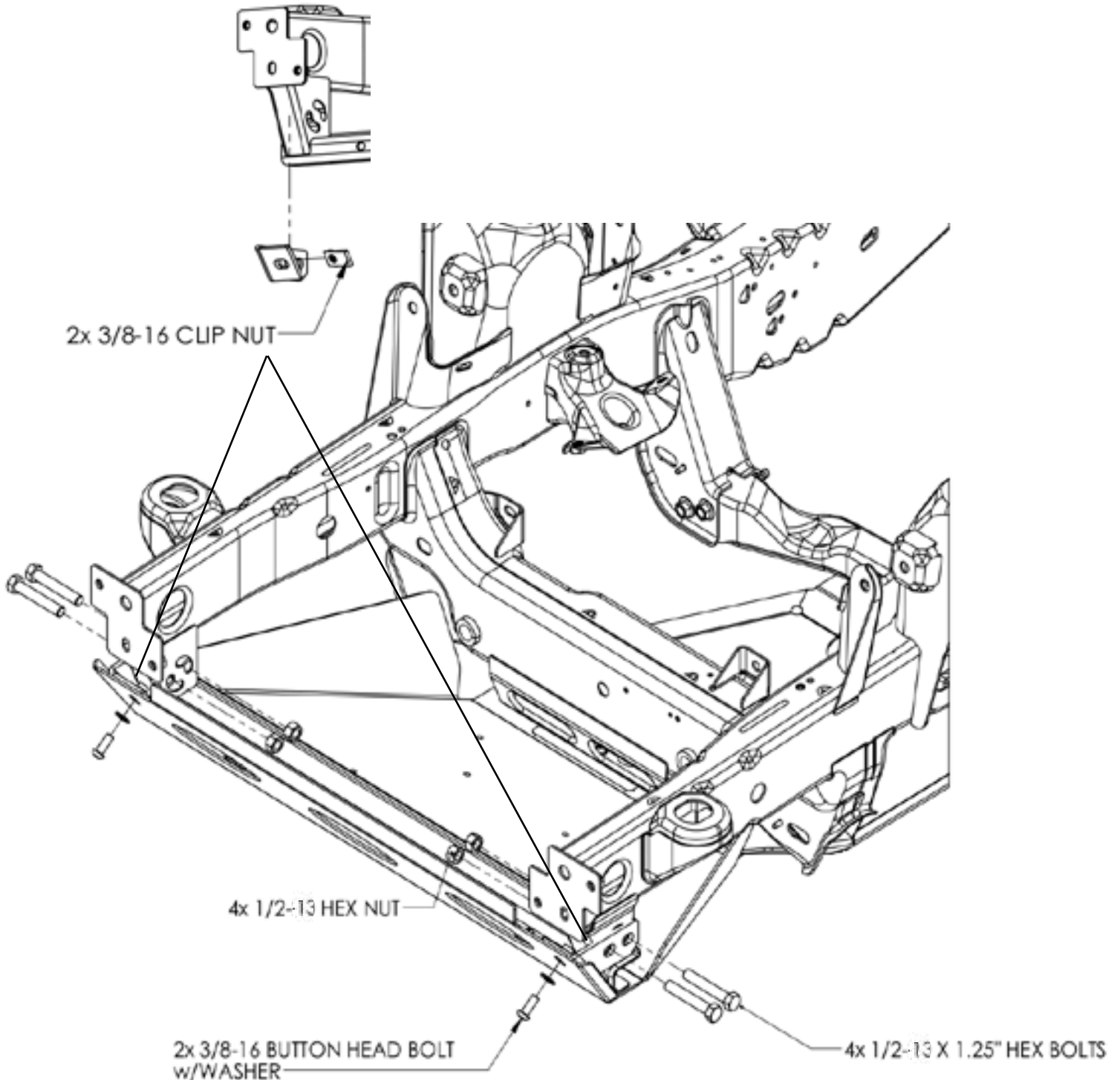
## 1 OEM SKID AND HARDWARE REMOVAL

Remove the OEM skid and associated hardware.

OEM hardware and hole locations may vary by model see step 4 for additional requirements.

## 2 FRONT SKID PLATE AND BRACKET MOUNTING

Attach clip nuts to the front skid plate brackets and mount to the frame as shown using the provided hardware. Mount the front of the skid plate into place as shown here.

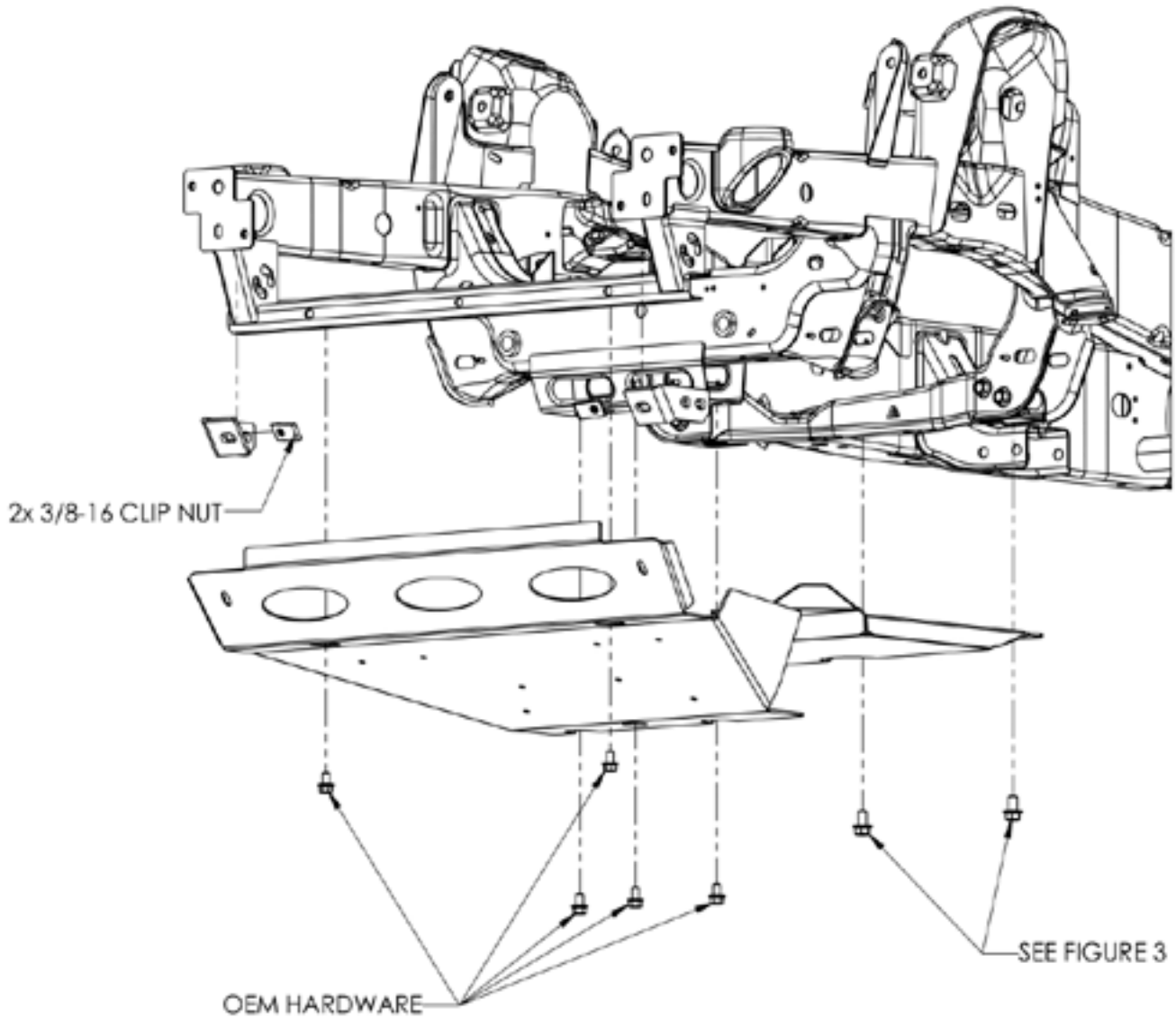




# SKID PLATE INSTALLION

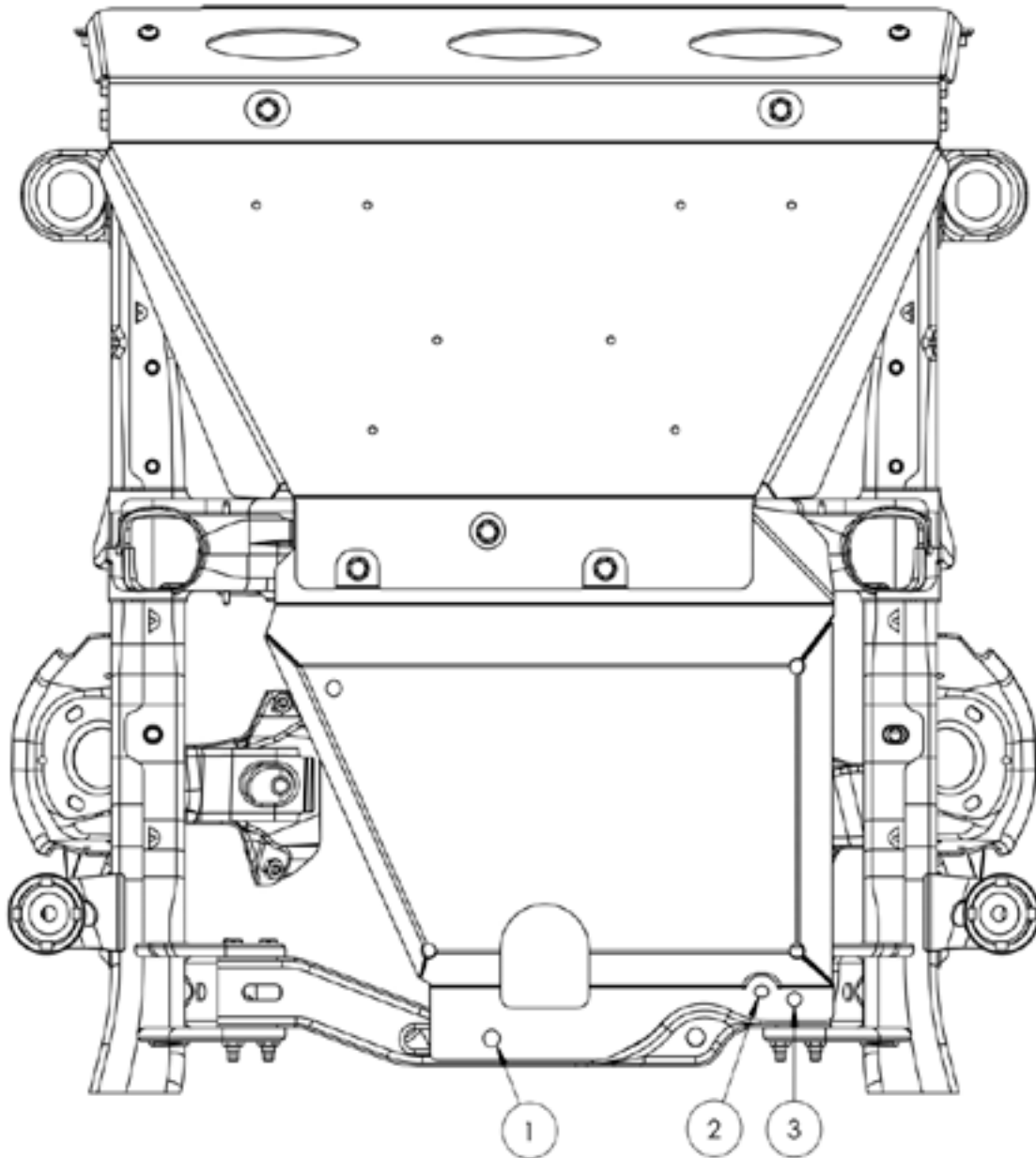
## 3 FRONT AND REAR SKID PLATE MOUNTING

Mount both the front and rear skid plates as shown below using OEM hardware. The rear skid plate will mount under the front skid plate.



## 4 REAR SKID PLATE MOUNTING

Attach the rear skid plate hardware as shown. Non ZR2 models will require you to mark the hole location as shown and drill through the frame. Tap the hole and drill to fit a 3/8" bolt.  
OEM hardware and hole locations may vary by model



NOTE  
ZR2-USE OEM HARDWARE IN LOCATIONS 1 & 3  
OTHER - DRILL HOLES IN LOCATION 1 AND USE LOCATION 2 WITH 3/8-16 3.5" HEX BOLT