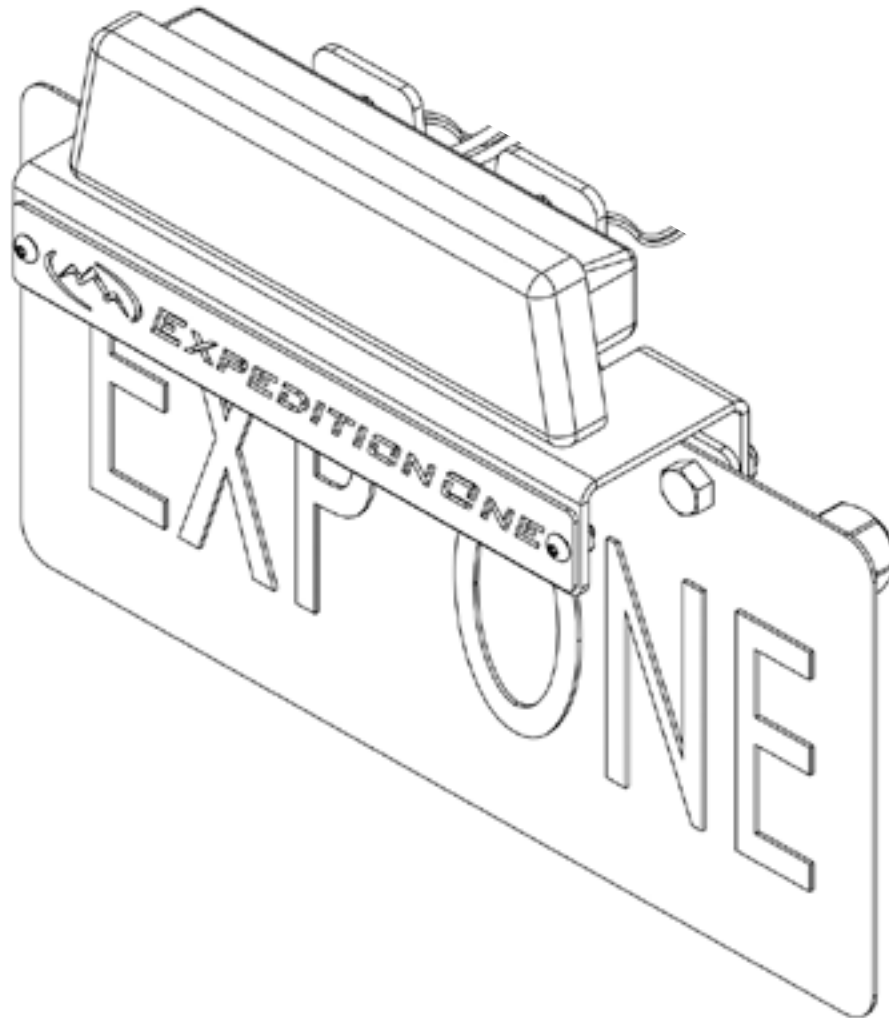


INSTALLATION GUIDE

Jeep Wrangler JK 3rd Brake Light



CONTENTS

HARDWARE

ITEM	QTY
3rd Brake Light Kit	1
<u>A</u> JK Light Mount Bracket	1
<u>B</u> License Plate Light Bracket	1
<u>C</u> License Plate Bracket	1
<u>D</u> Wheel Mount Bracket	1
Expedition One Plate	1
LED Light with Wiring	2
3rd Brake Light Hardware Kit	1
8-32 X 1/2" Button Head Screw	2
8-32 Nyloc Nut	2
10-32 X 3/4" Button Head Screw	2
10-32 Nyloc Nut	2
5/16" - 18 X 3/4" Hex Cap Bolt	2
5/16" - 18 X 1" Carriage Bolt	1
5/16 X 0.875" USS Washer	3
5/16" - 18 Nyloc Nut	3
1/2" - 20 X 1.25" Hex Cap Bolt	2
Lugnut	2
Spacers	4



SKILL LEVEL - 2 STARS



1 STAR ★☆☆☆☆

2 STARS ★★☆☆☆

3 STARS ★★★☆☆

4 STARS ★★★★☆

5 STARS ★★★★★

EASY - No tools required

BASIC - Requires standard tools, basic mechanical knowledge and understanding

MODERATE - Requires standard tools. Some drilling and/or cutting.

ADVANCED - Requires speciality tools. Drilling, cutting, and/or welding

EXPERT - Professional installation recommended.

DISCLAIMER

Expedition One is not responsible for any damages to vehicle or injury.
We always recommend professional assistance when installing our vehicle products.

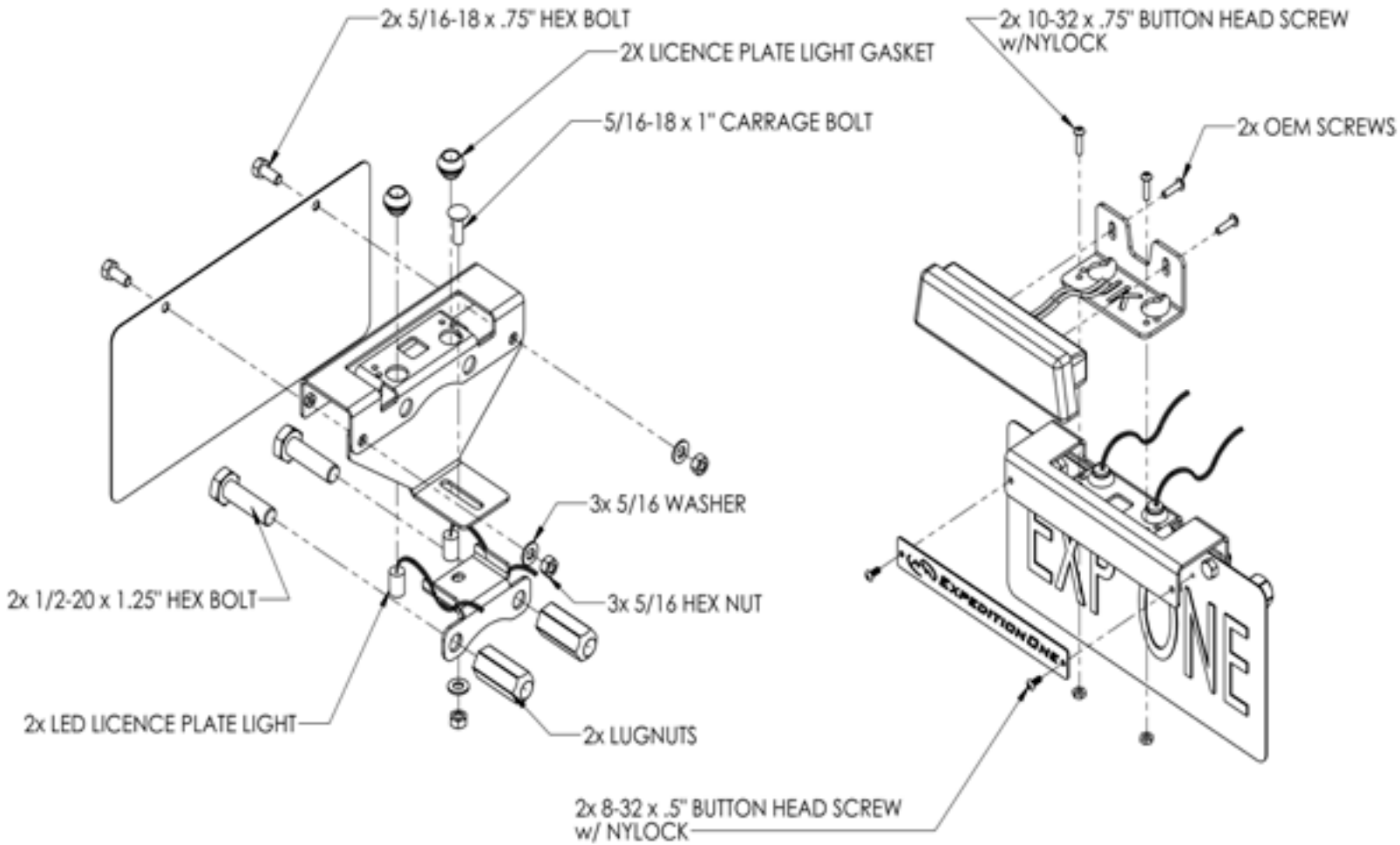
Always follow safety precautions including the use safety gear and devices.

JK 3RD BRAKE LIGHT WITH LICENSE PLATE

3RD BRAKE LIGHT WITH LICENSE PLATE RELOCATION

Assemble the 3rd Brake Light as shown with the provided hardware

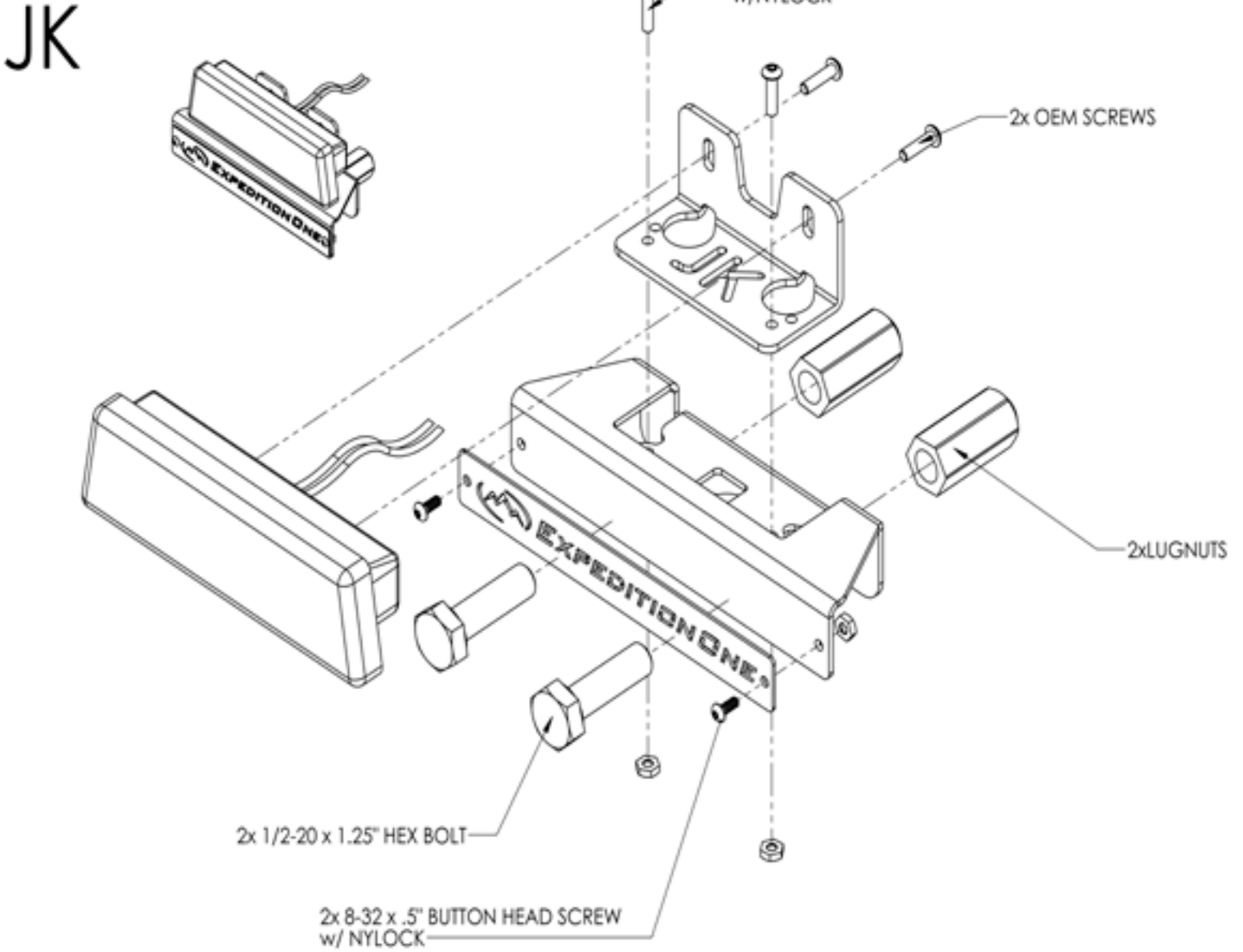
JK



JK 3RD BRAKE LIGHT

3RD BRAKE LIGHT ONLY

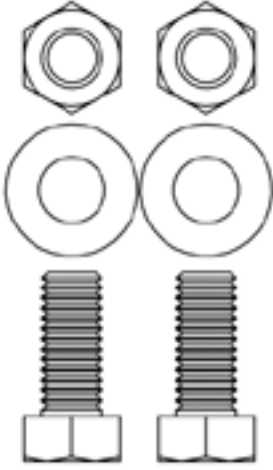
Assemble 3rd Brake Light as shown with the provided hardware



HARDWARE

JK

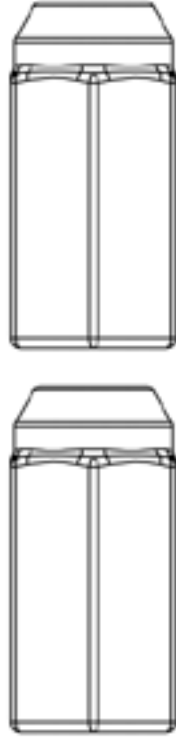
2x 5/16 - 18 x .75" HEX BOLT
w/ WASHER AND HEX NUT



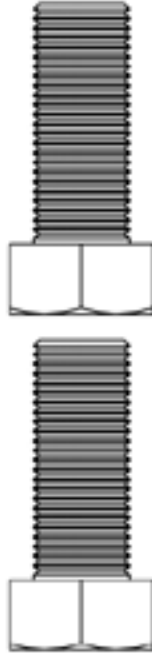
5/16 - 18 x 1" CARRIAGE BOLT
w/WASHER AND HEX NUT



2x LUGNUTS



2x 1/2-20 x 1.25" HEX BOLT



2x 10-32 x .75" BUTTON HEAD SCREW w/NYLOCK



2x 8-32 x .5" BUTTON HEAD SCREW w/NYLOCK



4x SPACER (USE AS REQUIRED)

