

INSTALLATION GUIDE

2019+ Ram 2500/3500 HD DSTC Rear Bumper



CONTENTS

CONTENTS

Hardware	Page 3
Bumper Removal	
Wiring Harness and Hardware Removal	Page 4
Bumper Installation	
Wiring and DSTC hardware Installation	Page 5
Frame Modification	Page 6
Bumper Installation	
Bracket Installation	Page 7
Rear Bumper Installation	Page 8
R19 Sensor and Wiring Connection	Page 9

SKILL LEVEL - 4 STARS



1 STAR	★☆☆☆☆
2 STARS	★★☆☆☆
3 STARS	★★★☆☆
4 STARS	★★★★☆
5 STARS	★★★★★

EASY - No tools required
BASIC - Requires standard tools, basic mechanical knowledge and understanding
MODERATE - Requires standard tools. Some drilling and/or cutting.
ADVANCED - Requires speciality tools. Drilling, cutting, and/or welding
EXPERT - Professional installation recommended.

DISCLAIMER

Expedition One is not responsible for any damages to vehicle or injury.
We always recommend knowledgeable professional assistance when installing our vehicle products.

Always follow safety precautions including the use safety gear and devices.

HARDWARE

HARDWARE

ITEM	QTY
Ram 2500/3500 HD DSTC Rear Bumper	1
<u>A</u> DSTC Rear Mounting Brackets	2
Rear Mounting Hardware Base Bumper	
1/2"-13 X 1 1/4" Hex Cap Bolts	8
1/2"-13 Nylock Nuts	8
1/2" X 1.375" USS Washers	16
<u>B</u> R19 Sensor Bracket Kit	
R19 Plate	1
1/4"-20 X 1" Hex Cap Bolts	2
1/4"-20 Nylock Nuts	2
1/4" X 0.625" SAE Washers	4
<u>C</u> License Plate Light Kit	
LED Light with Wiring	2
Male Connector	4
Female Connector	4
<u>D</u> Full-Size Truck Drop Pin Plates	2
<u>D</u> Drop Pins	2
Ram 19 RB DSTC Tread Plate	1
Tread Plate Hardware	
1/4"-20 X 3/4" Hex Drive Button Head	20
1/4"-20 Nylock Nuts	20
Rear Bumper Sensor Plugs	4



BUMPER REMOVAL

1 DISCONNECT WIRING HARNESS

Disconnect the rear bumper's parking sensors and license plate light wiring harness via the drivers side connector located in the corner of the bumper.

2 REMOVE OEM HARDWARE AND BUMPER

Remove the rear bumper OEM hardware of 6 bolts (2 each side and 2 center behind the rear license plate). Pull off the rear bumper.



3 INSTALLATION OF PARKING SENSORS

Remove the OEM parking sensors bezels and disconnect the parking sensors from the wiring loom. Install the new OEM front bumper sensor kit parking sensor bezels as shown, before connecting the parking sensors. (PN 68449575AA)



DSTC BUMPER PREPERATION

4 WIRING HARNESS INSTALLATION

Place the OEM wiring harness into the bumper, threading the wiring through so that connectors match there respective postions. Make sure the wiring harness connector is located on the driver side of the vehicle. Reattach all 4 parking sensors. Avoid placing the wiring harness near mounting holes and visible cutouts.

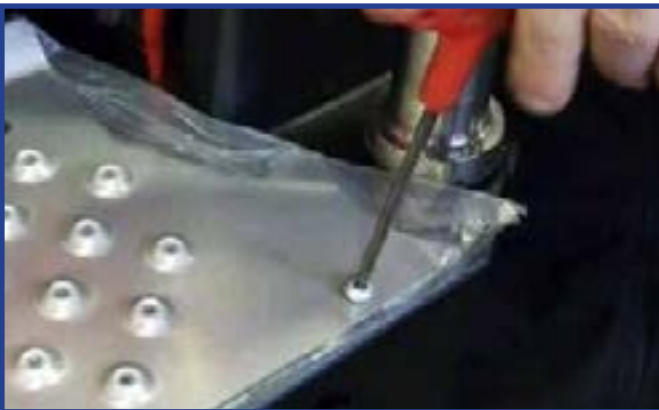
5 LICENSE PLATE LIGHT INSTALLATION

Remove the original license plate lights by cutting off a small section of wire. Attach one set of connectors to the original wiring loom, connecting the opposite set to the provided lights. Insert the provided license plate light into the bumper. Connecting the wiring loom and light wires via the connectors. Do not match wiring by color, it is likely that you will need to connect opposite or different colors.



6 TREAD PLATE AND DROP PIN PLATE

Install the tread plate and drop pin plates to both sides using the provided hardware. Remove the plastic covering after installing the bumper.



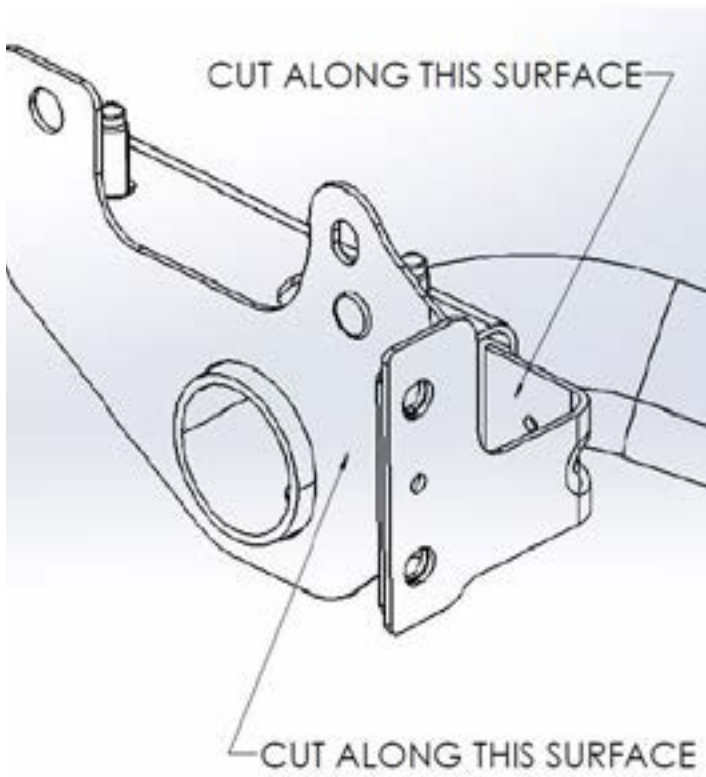
7 INSTALLATION OF KICK PLATE HARDWARE

See DSTC instructions.

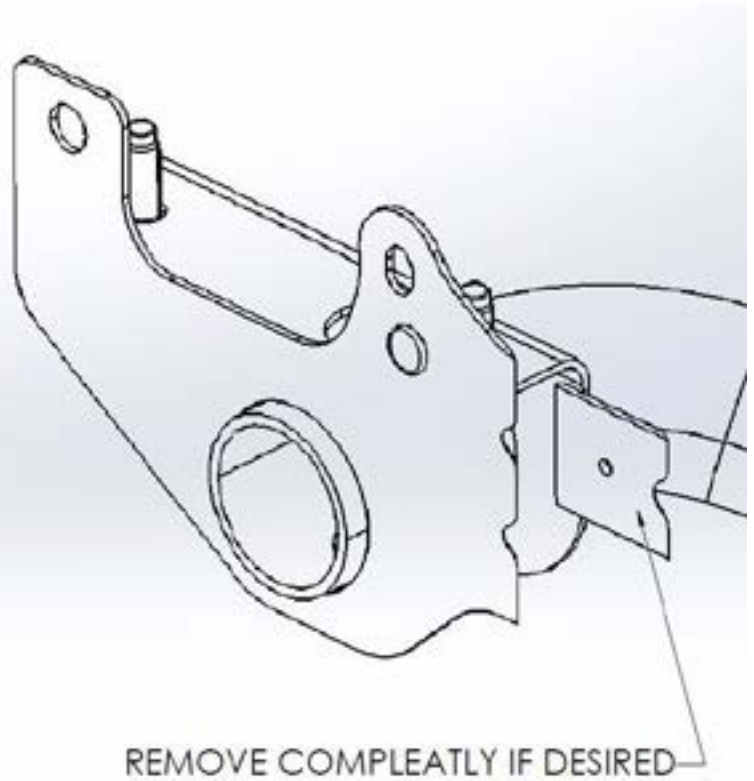
8 FRAME MOUNT MODIFICATION

Cut off the edges both frame mounts as shown.

BEFORE CUT



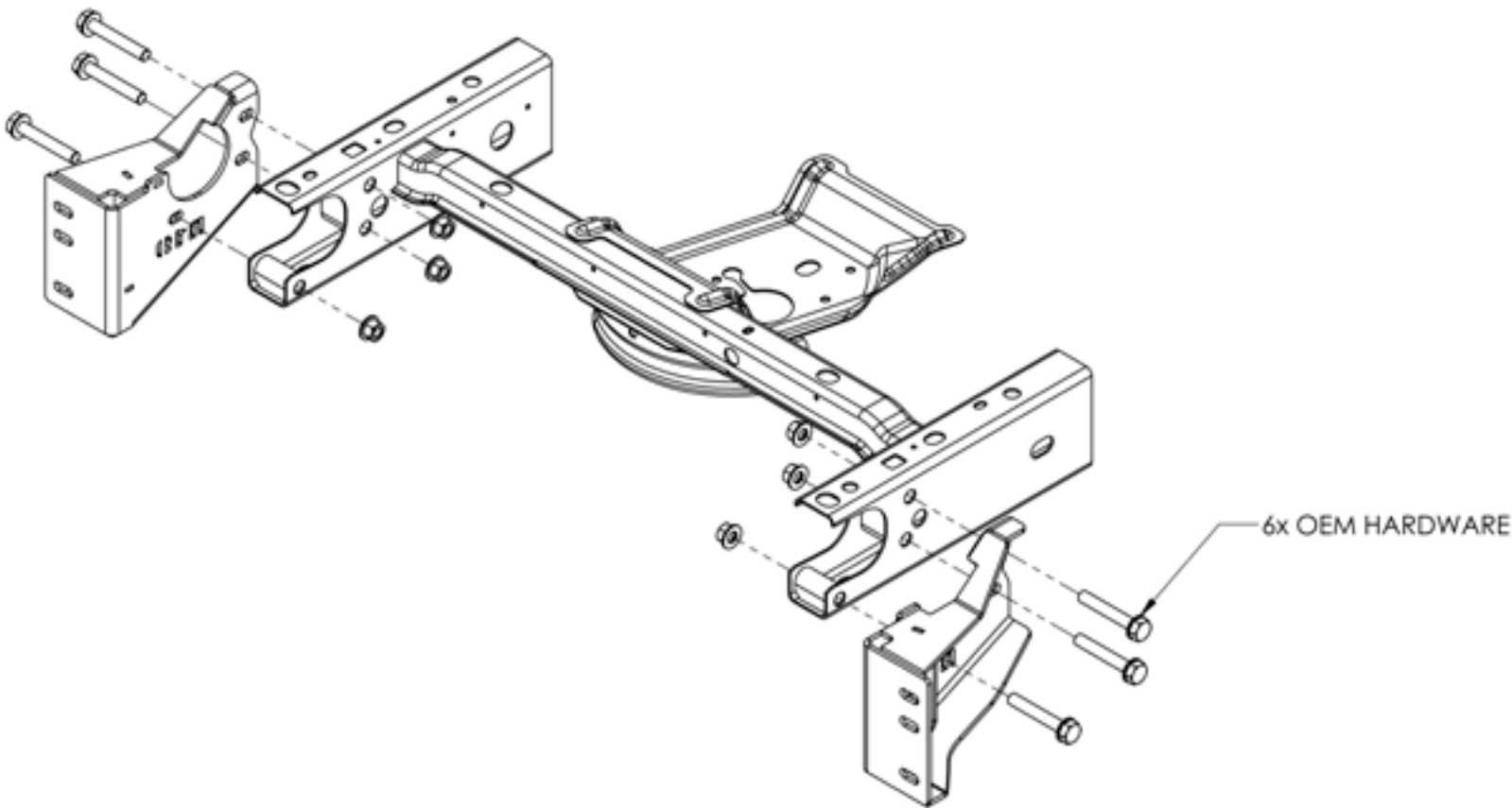
AFTER CUT



DSTC BUMPER INSTALLATION

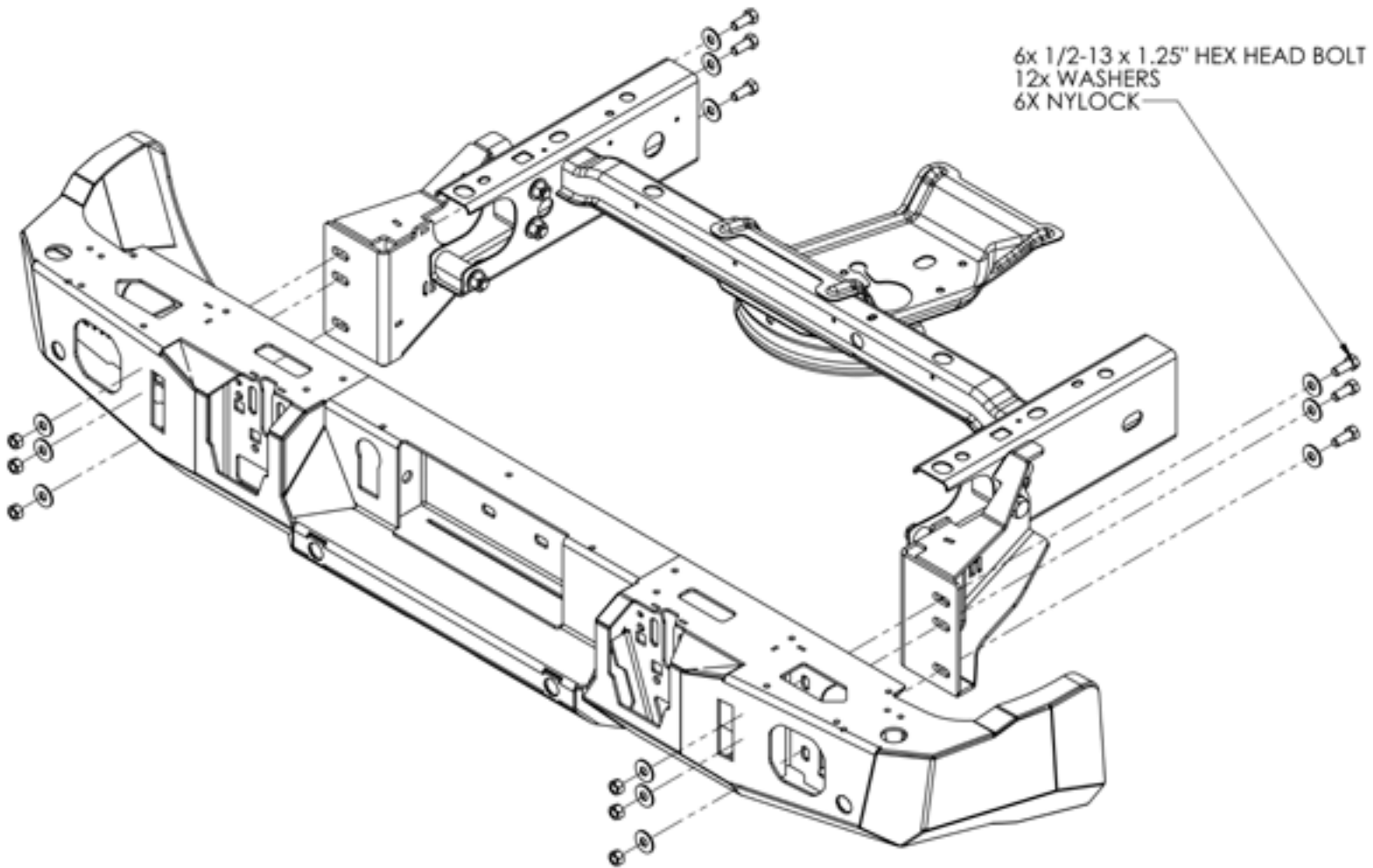
9 INSTALLATION OF REAR BUMPER BRACKETS

Mount the brackets using the original hardware as shown below.



10 INSTALLATION OF REAR BUMPER

Attach the rear bumper as shown using the 1/2" hardware provided. Center the bumper with the vehicle and align gaps to your preference during mounting.



11 INSTALLATION OF R19 PLATE AND SENSOR

Attach the sensor as shown to the R19 plate to the vehicle behind the rear license plate area using the provided hardware.



12 RECONNECT WIRING HARNESS

Reconnect the parking sensor and cornering light wiring harness to the vehicles electronics. Tighten and check all hardware

