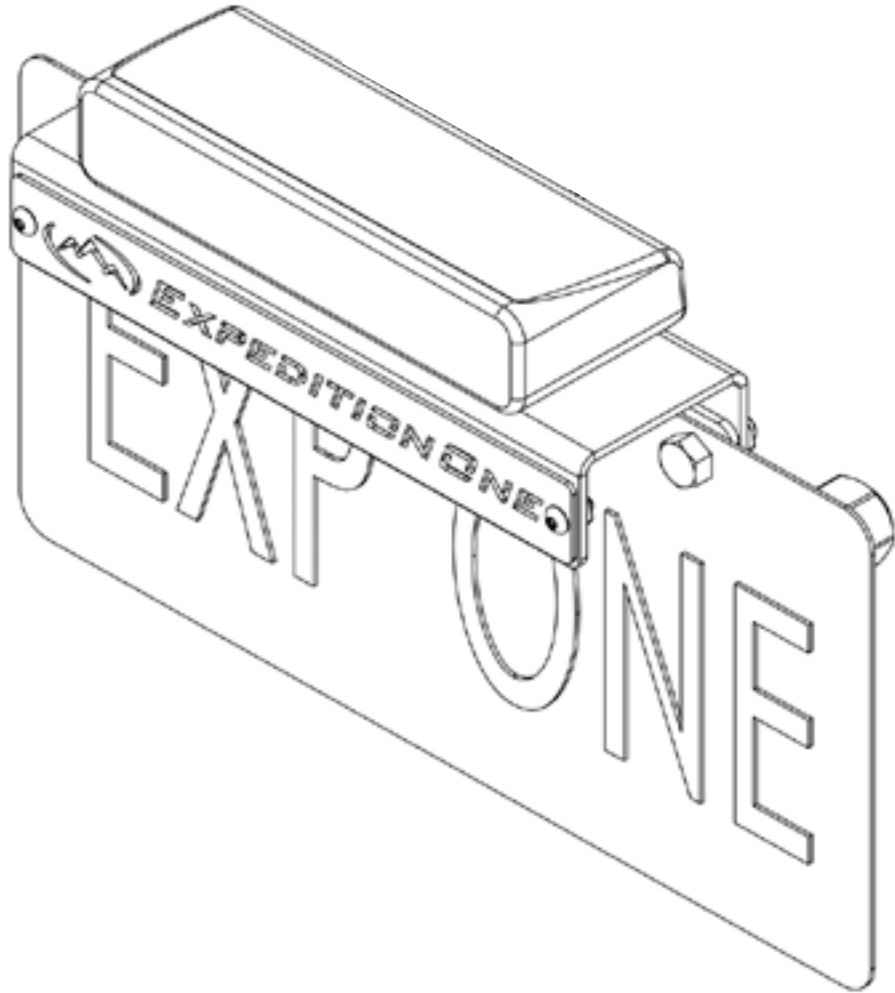


INSTALLATION GUIDE

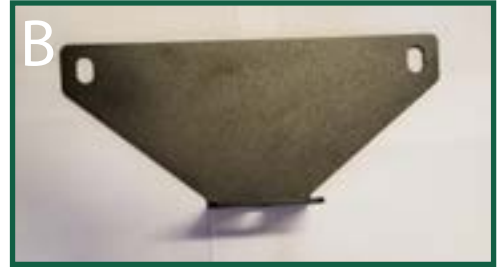
Jeep Wrangler JL 3rd Brake Light



CONTENTS

HARDWARE

ITEM	QTY
3rd Brake Light Kit	1
<u>A</u> License Plate Light Bracket	1
<u>B</u> License Plate Bracket	1
<u>C</u> Wheel Mount Bracket	1
Expedition One Plate	1
LED Light with Wiring	2
3rd Brake Light Hardware Kit	1
8-32 X 1/2" Button Head Screw	2
8-32 Nyloc Nut	2
5/16" - 18 X 3/4" Hex Cap Bolt	2
5/16" - 18 X 1" Carriage Bolt	1
5/16 X 0.875" USS Washer	3
5/16" - 18 Nyloc Nut	3
M14 X 30 Hex Cap Bolt	2
Lugnut	2
Spacers	4



SKILL LEVEL - 2 STARS



- 1 STAR ★☆☆☆☆
- 2 STARS ★★☆☆☆
- 3 STARS ★★★☆☆
- 4 STARS ★★★★☆
- 5 STARS ★★★★★

- EASY - No tools required
- BASIC - Requires standard tools, basic mechanical knowledge and understanding
- MODERATE - Requires standard tools. Some drilling and/or cutting.
- ADVANCED - Requires speciality tools. Drilling, cutting, and/or welding
- EXPERT - Professional installation recommended.

DISCLAIMER

Expedition One is not responsible for any damages to vehicle or injury.
We always recommend professional assistance when installing our vehicle products.

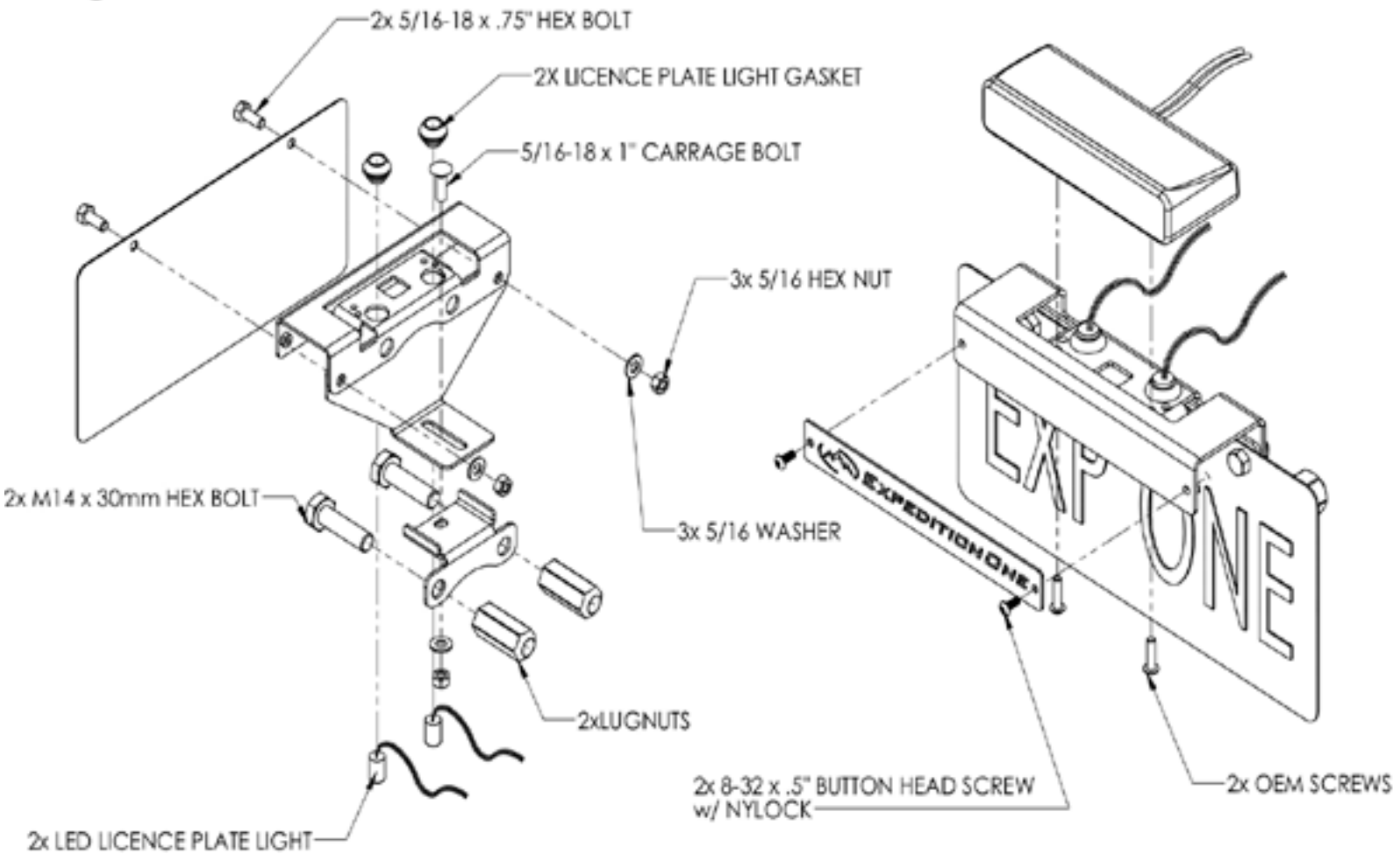
Always follow safety precautions including the use safety gear and devices.

JL 3RD BRAKE LIGHT AND LICENSE PLATE

3RD BRAKE LIGHT AND LICENSE PLATE RELOCATION

Assemble the 3rd Brake Light as shown with the provided hardware

JL

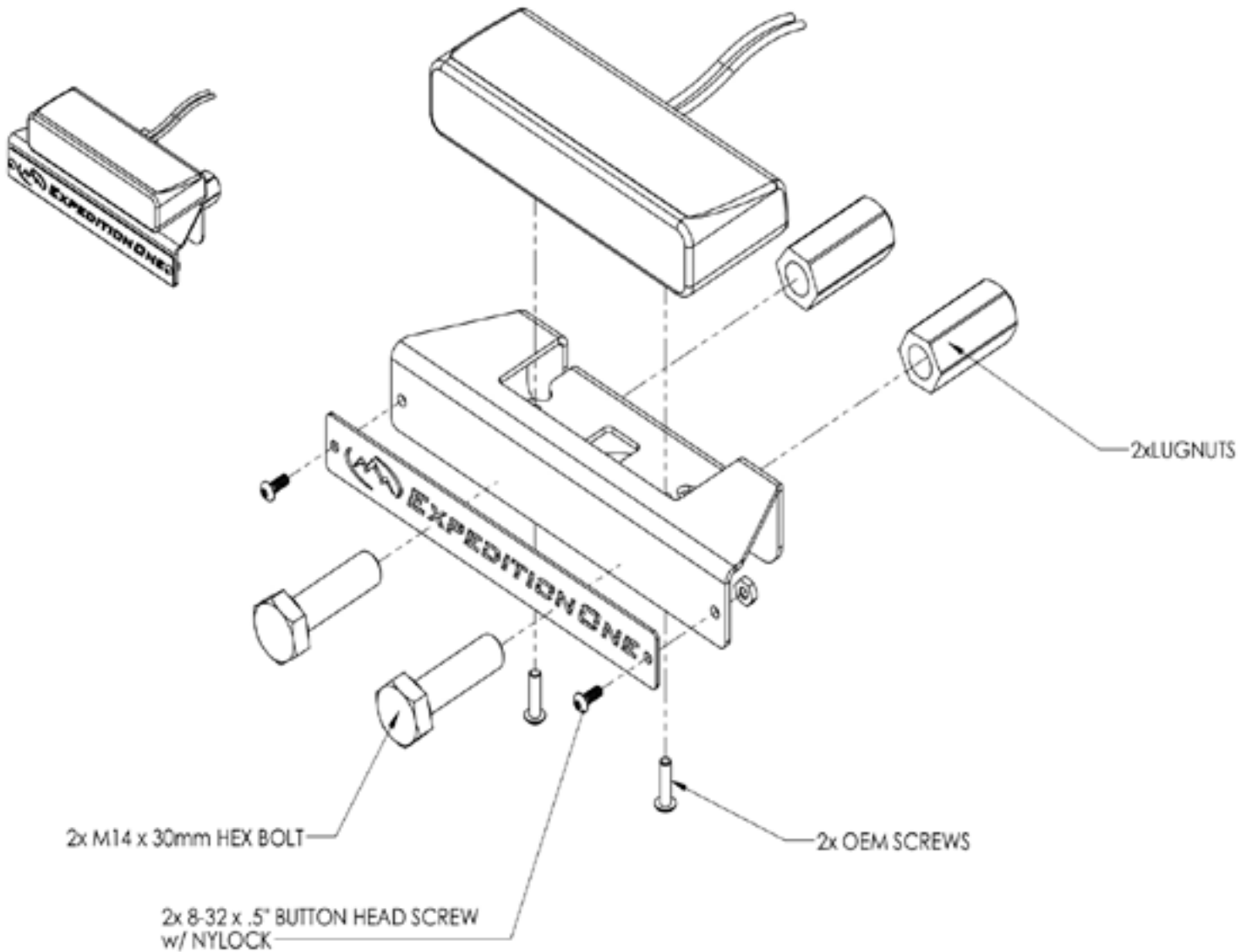


JL 3RD BRAKE LIGHT

3RD BRAKE LIGHT ONLY

Assemble 3rd Brake Light as shown with the provided hardware

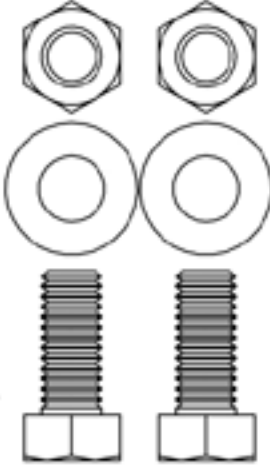
JL



HARDWARE

JL

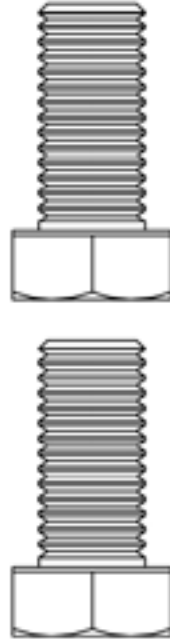
2x 5/16 - 18 x .75" HEX BOLT
w/ WASHER AND HEX NUT



5/16 - 18 x 1" CARRAGE BOLT
w/WASHER AND HEX NUT



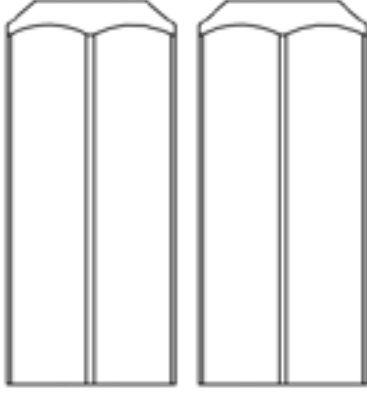
2x M14 x 30mm HEX BOLT



2x 8-32 x .5" BUTTON HEAD SCREW w/NYLOCK



2x LUGNUTS



4x SPACER (USE AS REQUIRED)

