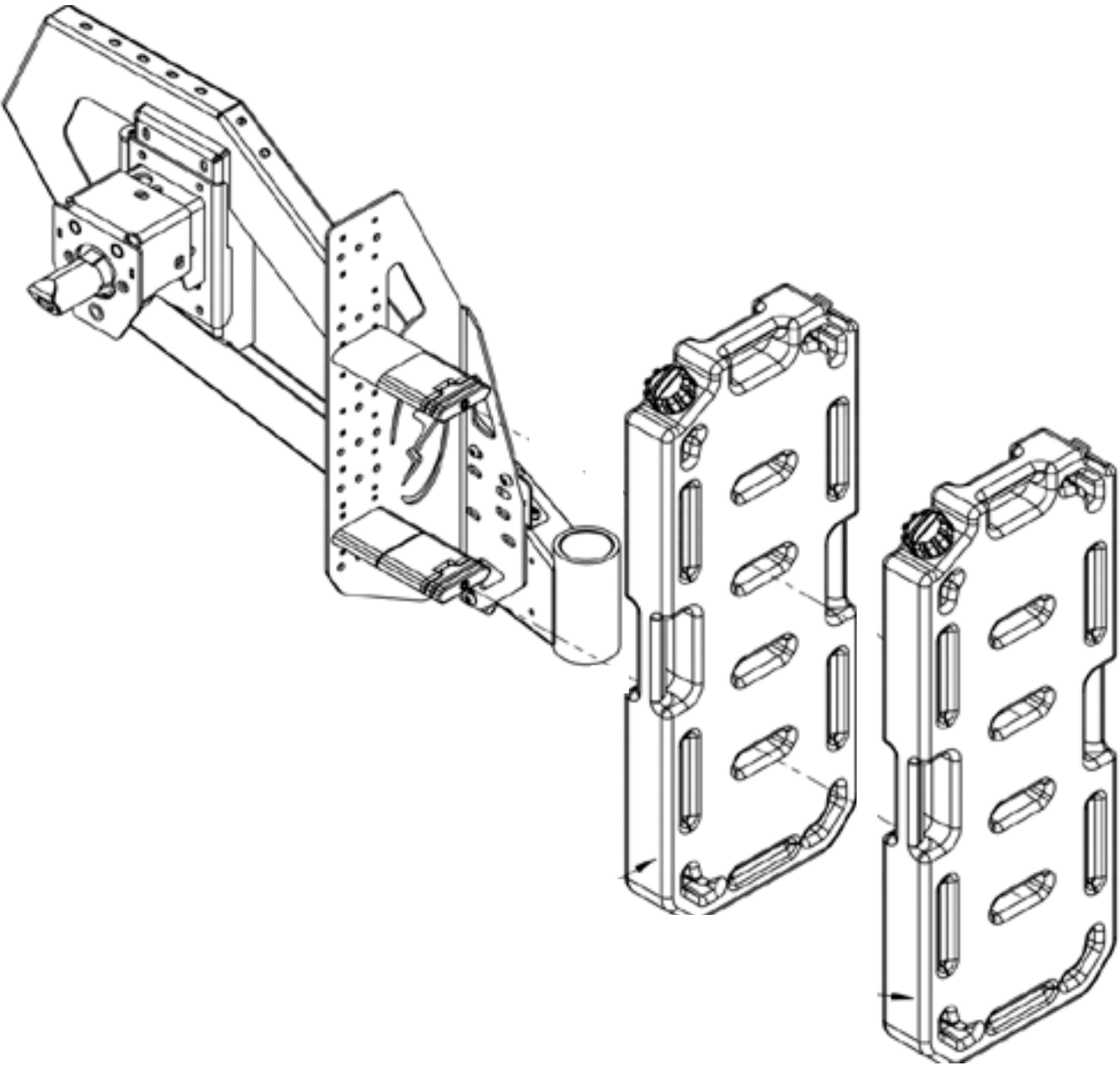


INSTALLATION GUIDE

GEN 3 TIRE CARRIER GERI MOUNT



CONTENTS

FOR USE ON GEN 2 TIRE CARRIER SWING ARMS - FJ CRUISER AND JK WRANGLER

HARDWARE

ITEM	QTY
Geri Can Mount	1
Top Plate	1
Bottom Plate	1
FJ/JK/JL NATO Mounting Hardware	1
3/8"-16 X 1" Button Head BoltS	8
3/8"-16 X 1" Nyloc Nuts	8



GEN 3 TIRE CARRIER GERI MOUNT

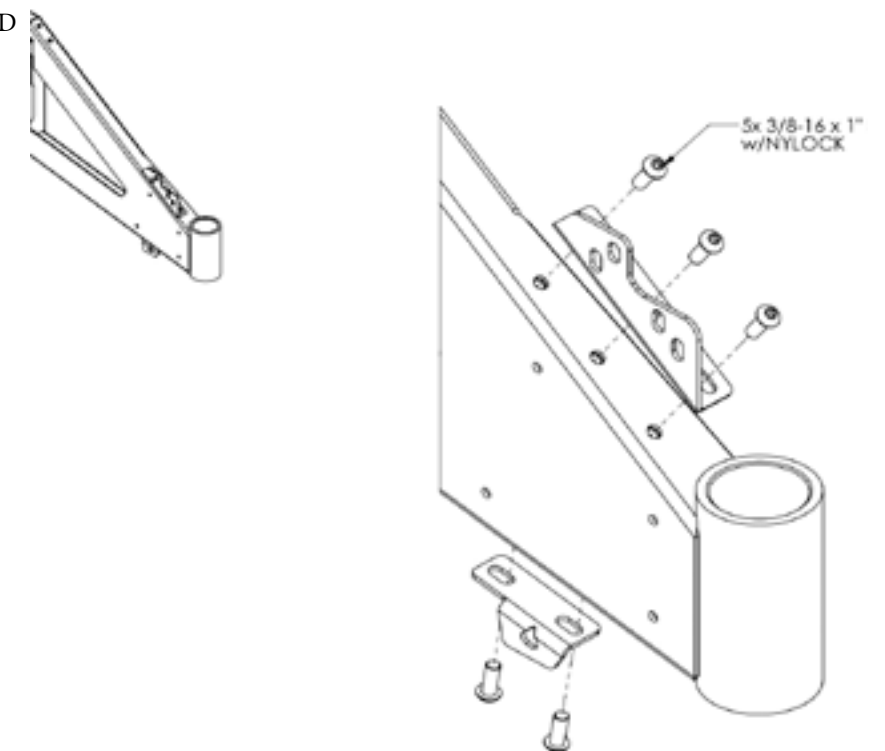
1 GERI MOUNT



2 MOUNTING PLATES

Place the top and bottom plates as shown.

JK/JL SWING ARM SHOWN - FJ IS MIRRORED



SKILL LEVEL - 2 STARS



- 1 STAR ★☆☆☆☆
- 2 STARS ★★☆☆☆
- 3 STARS ★★★☆☆
- 4 STARS ★★★★☆
- 5 STARS ★★★★★

- EASY - No tools required
- BASIC - Requires standard tools, basic mechanical knowledge and understanding
- MODERATE - Requires standard tools. Some drilling and/or cutting.
- ADVANCED - Requires speciality tools. Drilling, cutting, and/or welding
- EXPERT - Professional installation recommended.

DISCLAIMER

Expedition One is not responsible for any damages to vehicle or injury. We always recommend professional assistance when installing our vehicle products.

Always follow safety precautions including the use safety gear and devices.

3 GERI CAN MOUNT

Attach the Geri Can Mount as shown using the provided hardware.

JK/JL SWING ARM SHOWN - FJ IS MIRRORED

