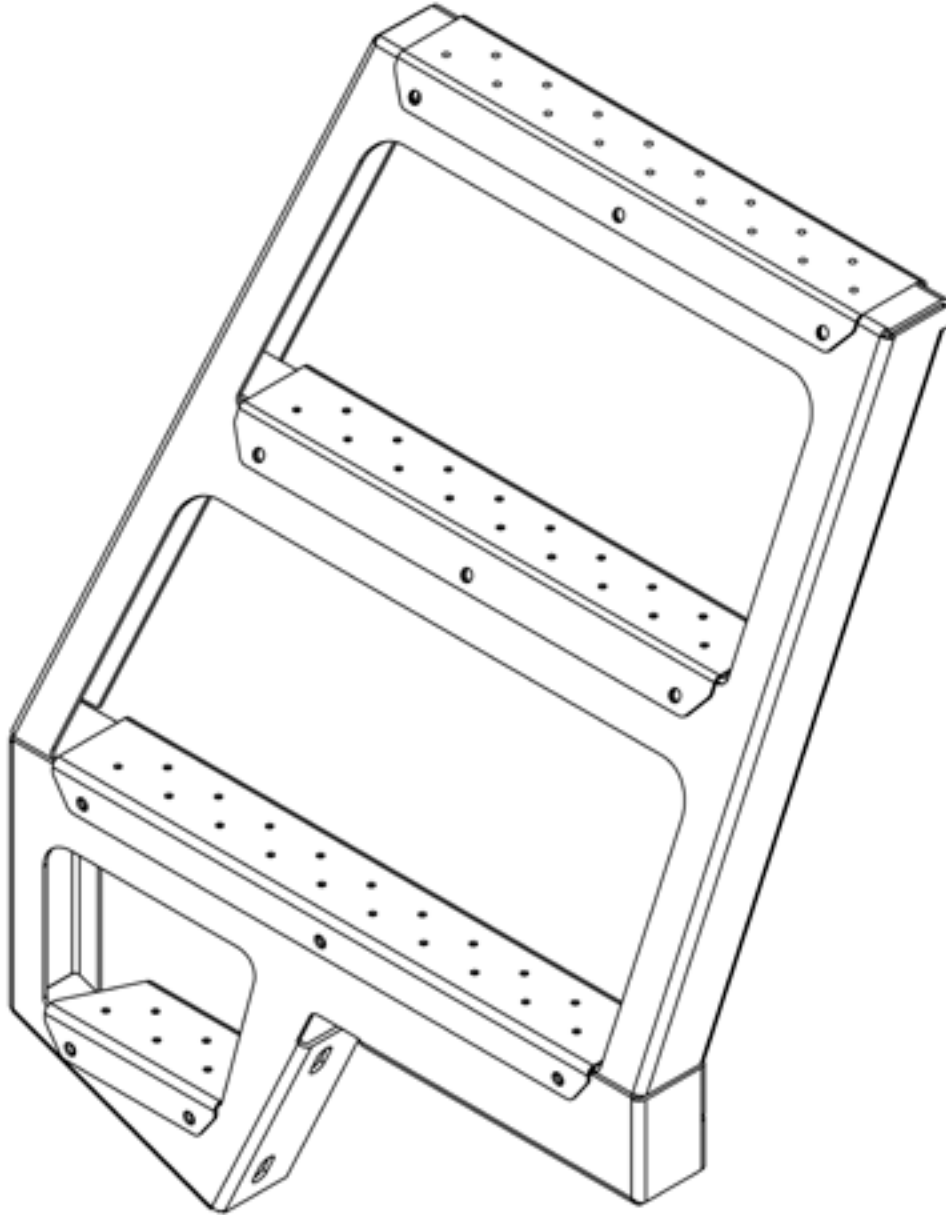


INSTALLATION GUIDE

4RUNNER/FJ CRUISER/GX LADDER



CONTENTS

FOR USE ON 4RUNNER / FJ CRUISER / LEXUS GX - DSTC SWING ARMS

HARDWARE

ITEM	QTY
Ladder	1
Ladder Tread Plates	4
Hardware	
1/4"-20 X 3/4" Button Heads Bolts	15
1/4"-20 Nylock Nuts	15
3/8"-16 X 1 1/4" Hex Cap Bolts	4
3/8"-16 Nylock Nuts	4
3/8" X 0.812 SAE Washers	8

SKILL LEVEL - 2 STARS



1 STAR

EASY - No tools required

2 STARS

BASIC - Requires standard tools, basic mechanical knowledge and understanding

3 STARS

MODERATE - Requires standard tools. Some drilling and/or cutting.

4 STARS

ADVANCED - Requires speciality tools. Drilling, cutting, and/or welding

5 STARS

EXPERT - Professional installation recommended.

DISCLAIMER

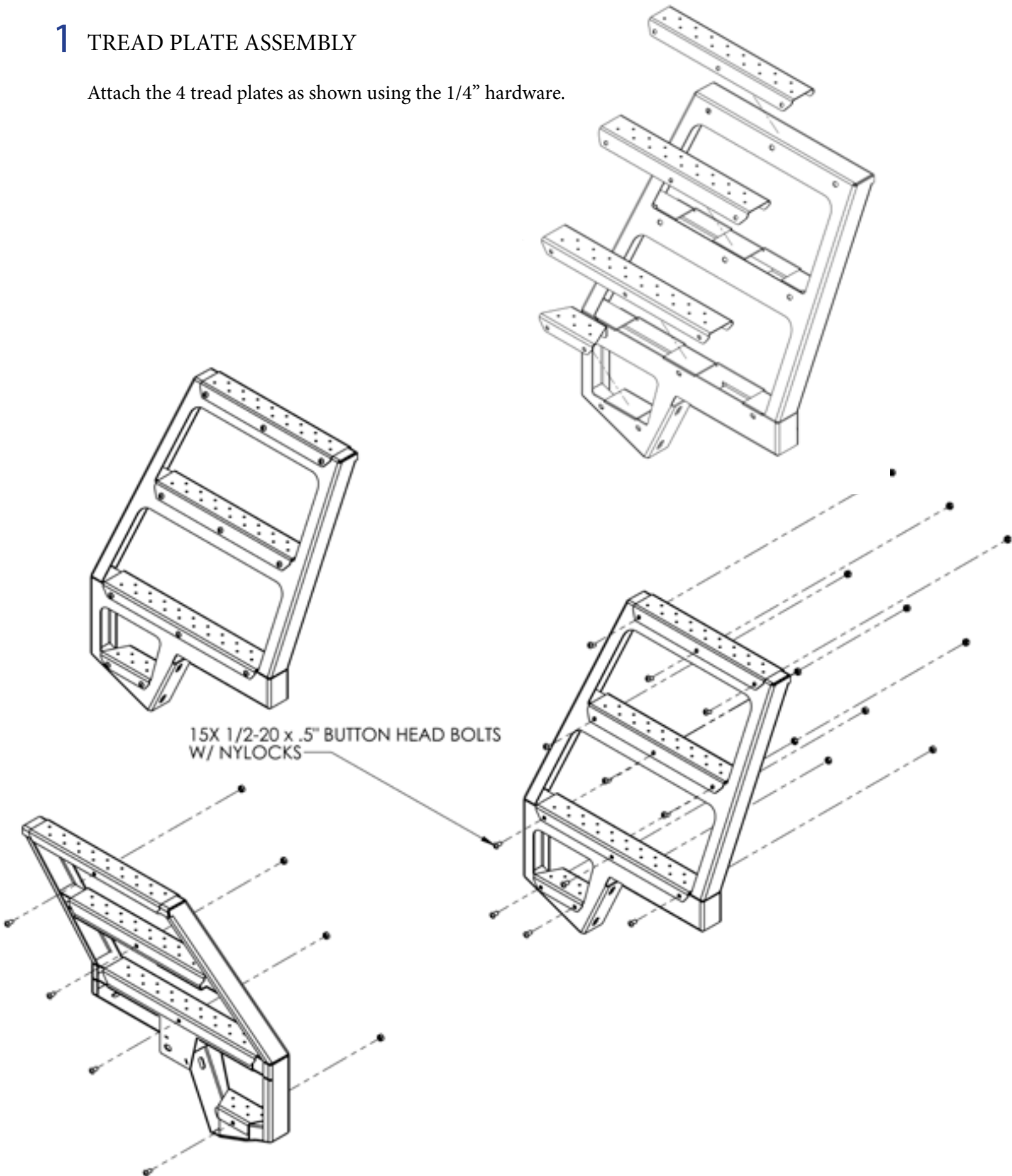
Expedition One is not responsible for any damages to vehicle or injury.
We always recommend professional assistance when installing our vehicle products.

Always follow safety precautions including the use safety gear and devices.

LADDER ASSEMBLY

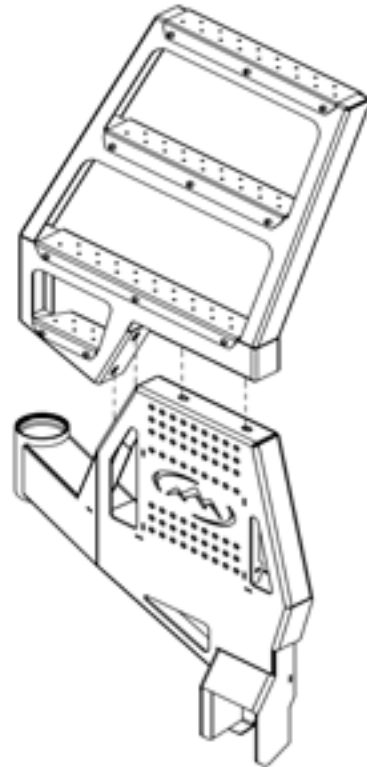
1 TREAD PLATE ASSEMBLY

Attach the 4 tread plates as shown using the 1/4" hardware.



2 LADDER MOUNTING

Mount the ladder assembly to the left swing arm and attach using 3/8" hardware as shown.



4X 3/8-16 X 1.25" HEX HEAD BOLT
8X WASHERS
4X NYLOCK

