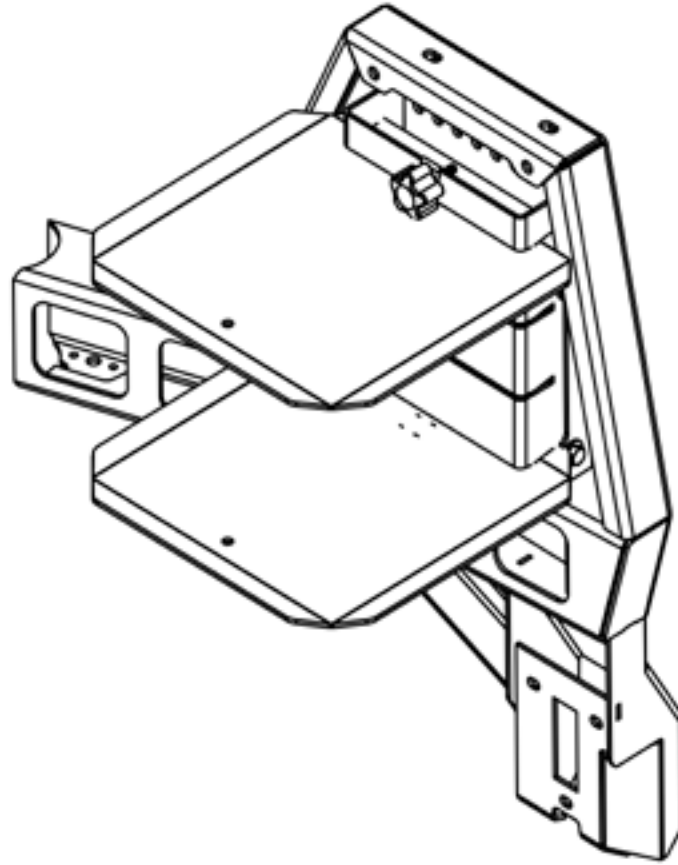


INSTALLATION GUIDE

4RUNNER / FJ CRUISER DSTC TABLE



CONTENTS

FOR USE ON DUAL SWING ARMS ON 4RUNNER AND FJ CRUISER

HARDWARE

ITEM	QTY
Table Mount	1
Table Tray	2
5/8"-16 X 1" Hex Cap Bolt	4
5/8" Washer	4
5/8"-16 Clip Nut	6
Small Lobe Knob	2

SKILL LEVEL - 2 STARS



1 STAR

EASY - No tools required

2 STARS

BASIC - Requires standard tools, basic mechanical knowledge and understanding

3 STARS

MODERATE - Requires standard tools. Some drilling and/or cutting.

4 STARS

ADVANCED - Requires speciality tools. Drilling, cutting, and/or welding

5 STARS

EXPERT - Professional installation recommended.

DISCLAIMER

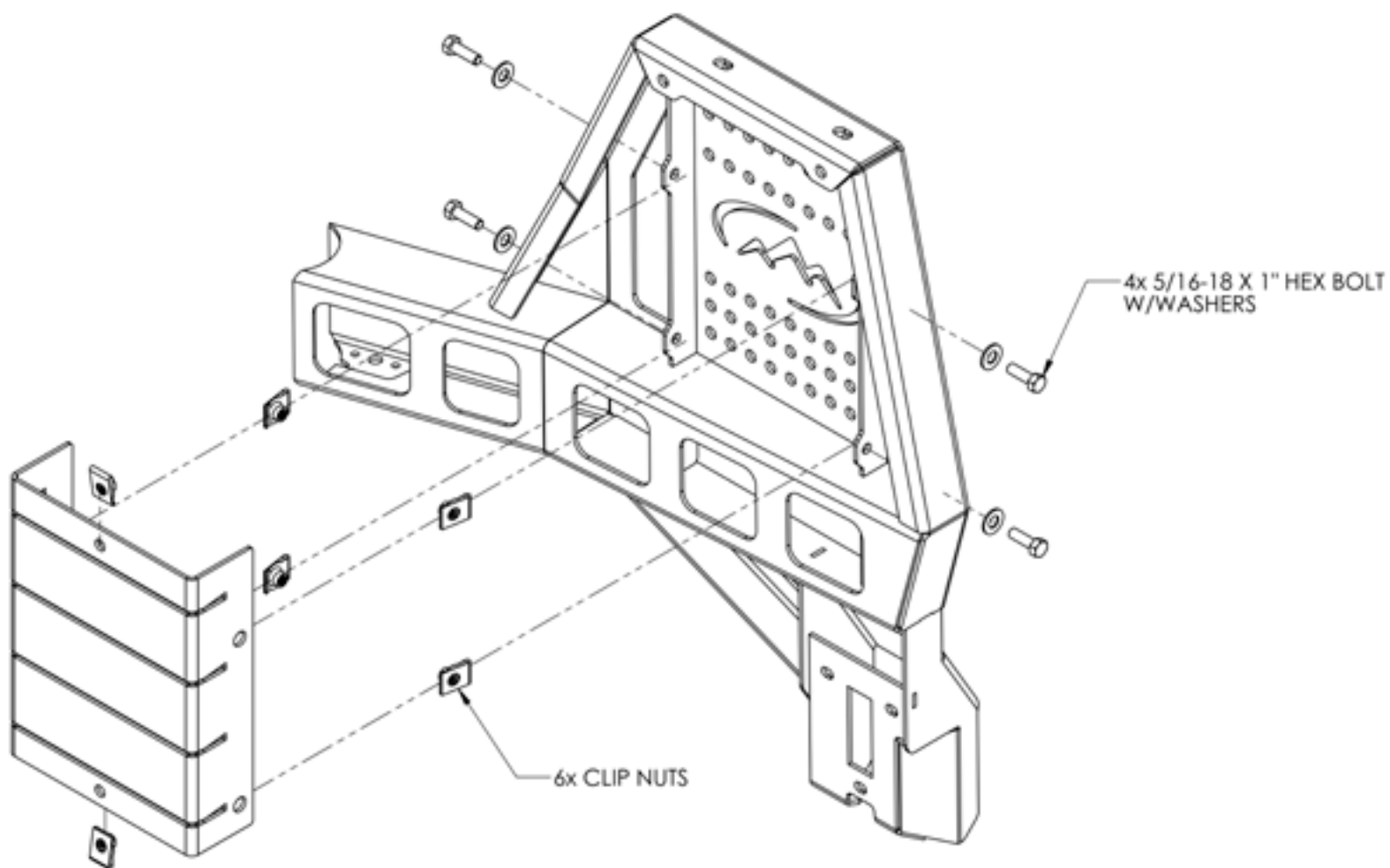
Expedition One is not responsible for any damages to vehicle or injury.
We always recommend professional assistance when installing our vehicle products.

Always follow safety precautions including the use safety gear and devices.

TABLE MOUNT

1 TABLE MOUNT INSTALLATION

Attach the table mount to the inside swing arm hole locations as shown using the 5/16" hardware.



2 CONFIGURATIONS

STOWED - Use the provided lobe knobs to secure the table trays vertically.

TABLE - Insert the table trays into the desired slot for use.

