

INSTALLATION GUIDE

Jeep Gladiator JT Mule Roof Rack



CONTENTS

Roof Rack Drawing	Page 3
Hardware	Page 4
Roof Rack Assembly	
Front and Side Brace Assembly	Page 5
Rear Brace and Side Fascia Mounting	Page 6
Rear and Side Fascia Attachment	Page 7
Front Fascia Install	Page 8
Seam Joiner Mounting	Page 9
Reinforcement Spacers	Page 10
Load Bar Assembly and Installation	Page 11
Roof Rack Installation	
Gutter Clamp Assembly/Installation	Page 12-13
Roof Rack Installation	Page 13-14

SKILL LEVEL - 3 STARS



- 1 STAR
- 2 STARS
- 3 STARS
- 4 STARS
- 5 STARS

- EASY - No tools required
- BASIC - Requires standard tools, basic mechanical knowledge and understanding
- MODERATE - Requires standard tools. Some drilling and/or cutting.
- ADVANCED - Requires speciality tools. Drilling, cutting, and/or welding
- EXPERT - Professional installation recommended.

DISCLAIMER

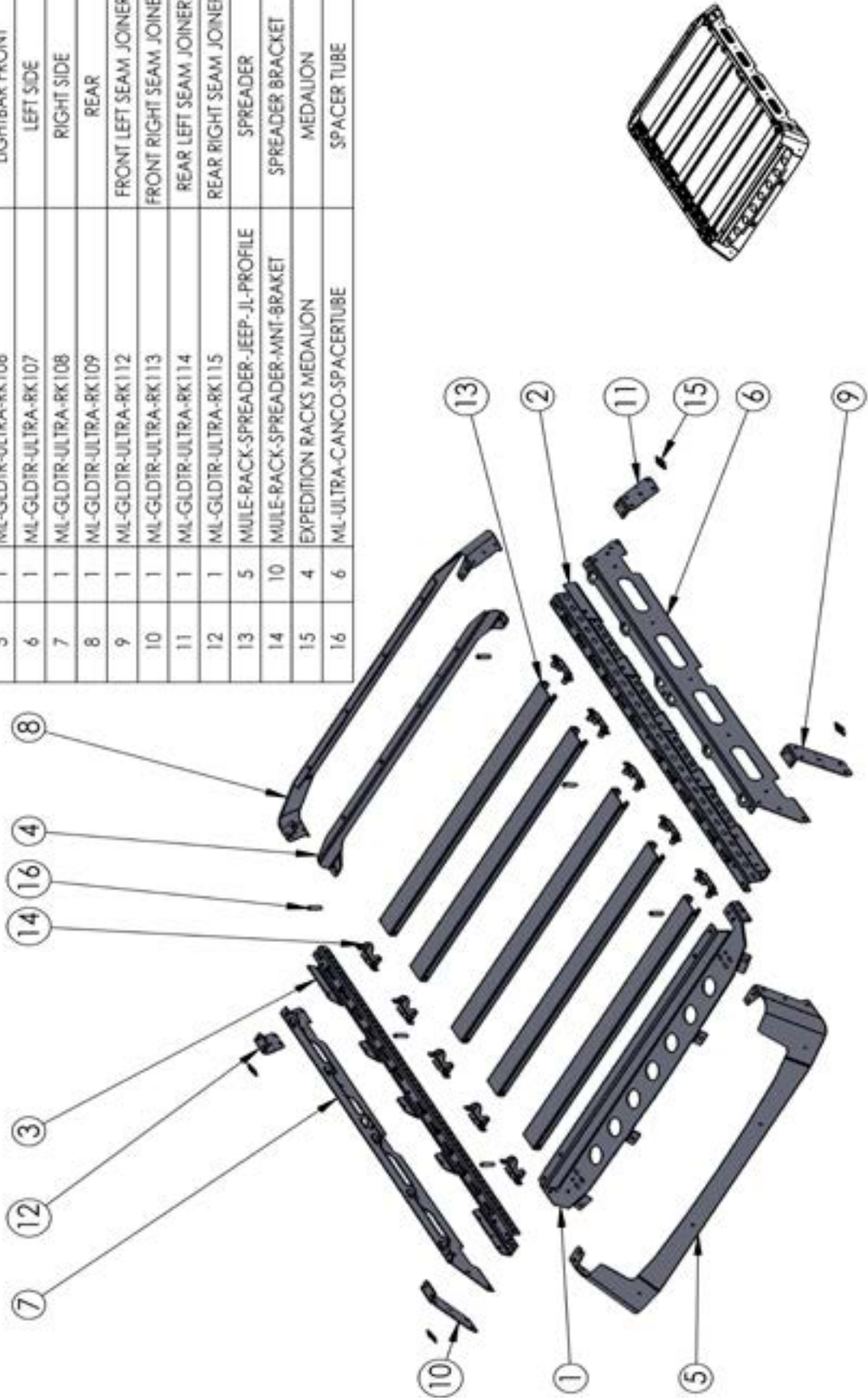
Expedition One is not responsible for any damages to vehicle or injury.
We always recommend professional assistance when installing our vehicle products.

Always follow safety precautions including the use safety gear and devices.

MULE ULTRA RACK

A

ITEM NO.	QTY.	PART NUMBER	DESCRIPTION
1	1	ML-GLDIR-ULTRA-RK101	FRONT BRACE
2	1	ML-GLDIR-ULTRA-RK102	LEFT RAIL
3	1	ML-GLDIR-ULTRA-RK103	RIGHT RAIL
4	1	ML-GLDIR-ULTRA-RK104	REAR BRACE
5	1	ML-GLDIR-ULTRA-RK106	LIGHTBAR FRONT
6	1	ML-GLDIR-ULTRA-RK107	LEFT SIDE
7	1	ML-GLDIR-ULTRA-RK108	RIGHT SIDE
8	1	ML-GLDIR-ULTRA-RK109	REAR
9	1	ML-GLDIR-ULTRA-RK112	FRONT LEFT SEAM JOINER
10	1	ML-GLDIR-ULTRA-RK113	FRONT RIGHT SEAM JOINER
11	1	ML-GLDIR-ULTRA-RK114	REAR LEFT SEAM JOINER
12	1	ML-GLDIR-ULTRA-RK115	REAR RIGHT SEAM JOINER
13	5	MULE-RACK-SPREADER-JEEP-JL-PROFILE	SPREADER
14	10	MULE-RACK-SPREADER-MNT-BRACKET	SPREADER BRACKET
15	4	EXPEDITION RACKS MEDALLION	MEDALLION
16	6	ML-ULTRA-CANCO-SPACERTUBE	SPACER TUBE



HARDWARE

HARDWARE

ITEM QTY

A - Jeep Gladiator Mule Ultra Roof Rack

1	Front Brace	1
2	Left Rail	1
3	Right Rail	1
4	Rear Brace	1
5	Front - Cutout or No Cutout	1
6	Left Side	1
7	Right Side	1
8	Rear	1
9	Front Left Seam Joiner	1
10	Front Right Seam Joiner	1
11	Rear Left Seam Joiner	1
12	Rear Right Seam Joiner	1
13	Spreader	5
14	Spreader Bracket	10
15	Badging	4
16	Spacer Tube	6
	Jeep Ultra Rack Gutter Clamp	4
	Jeep Gladiator ("G") Rear Gutter Clamp	2



B - Mule Ultra SUV Hardware Kit

	1/4"-20 X 1/2" Button Head Bolts	80
	1/4"-20 X 3/4" Button Head Bolts	22
	1/4"-20 Nylock Nuts	102
	5/16"-18 X 3/4" Hex Cap Bolts	8
	5/16"-18 X 3/4" Button Head Bolts	38
	5/16"-18 X 2 1/2" Button Head Bolts	6
	5/16"-18 Nylock Nut	44
	5/16"-18 Clip Nut	8
	5/16" Flat Washer	16



C - Gutter Clamp Hardware

	5/16"-18 X 1" Hex Cap Bolts	16
	5/16" X 0.875 USS Washers	16
	Gutter Clamp Foam Pads	12

D - Spacer Kit (For Leveling as Needed)

	Round Spacer	10
	Rectangular Spacer	12
	Rectangular Spacer with Threaded Holes	8

E - Weather Stripping - 63" 1

E - Foam Stripping - 18" 1



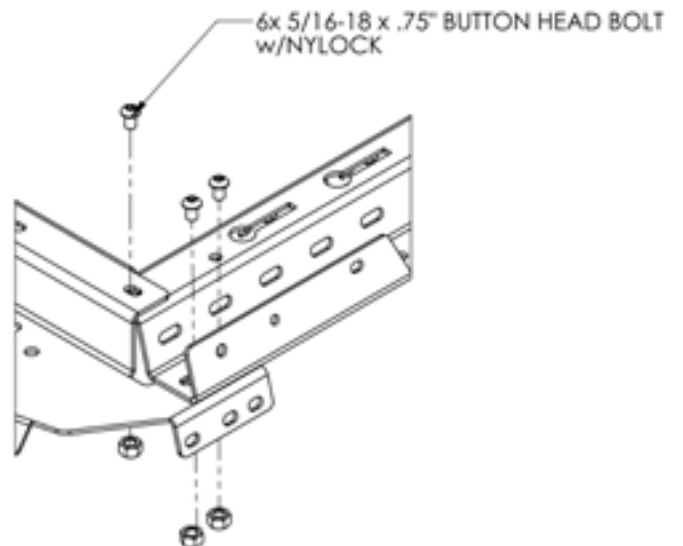
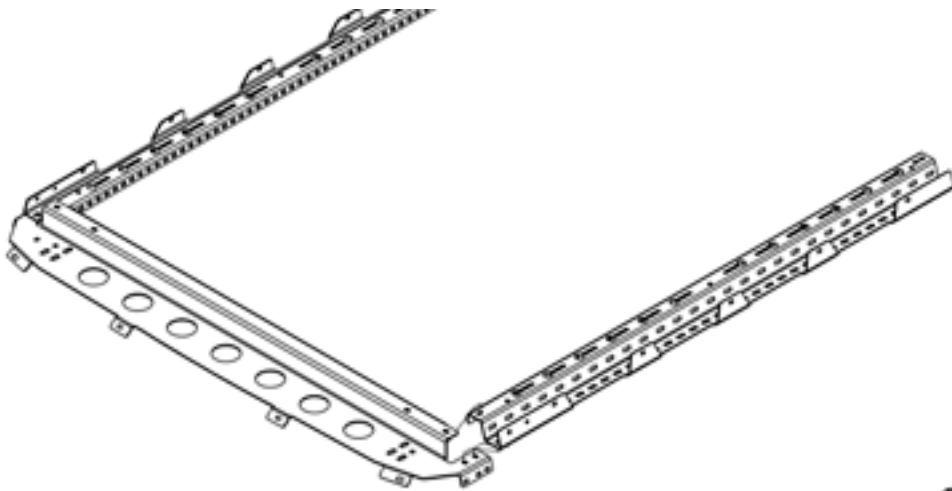
RACK ASSEMBLY

ATTENTION

When assembling the Mule Ultra Rack, remember to hand-tighten all bolts relatively loose until the very end of the install. This allows everything to fit into place before everything is tightened down.

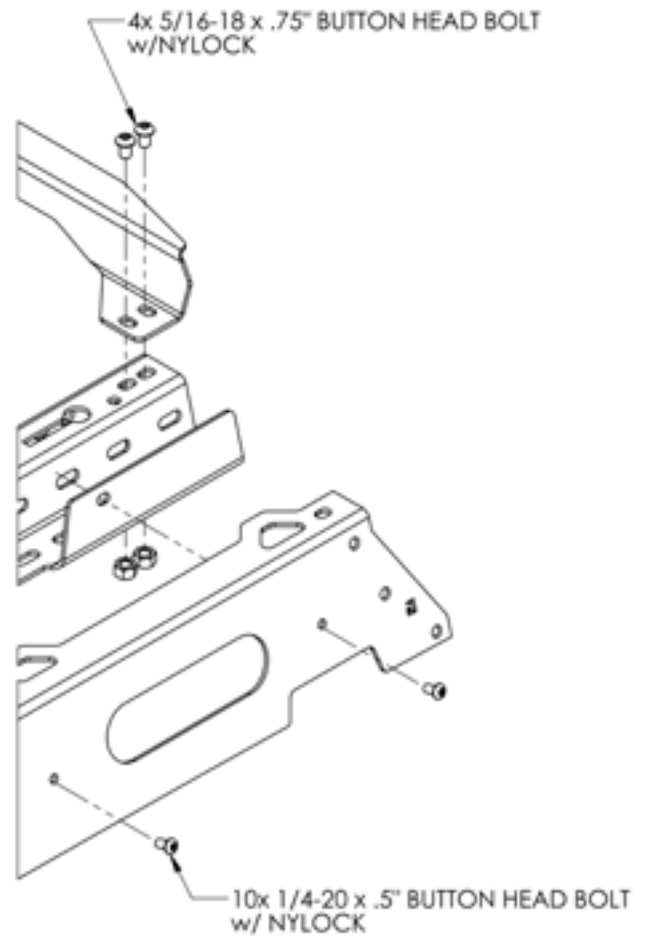
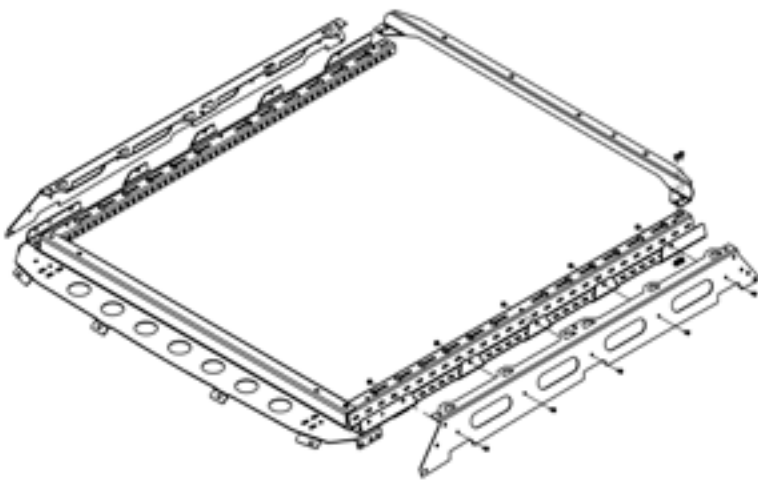
1 FRONT AND SIDE BRACES MOUNTING

Lay out the front and side braces as shown. Mount the braces together using the 5/16" bolts and nuts.

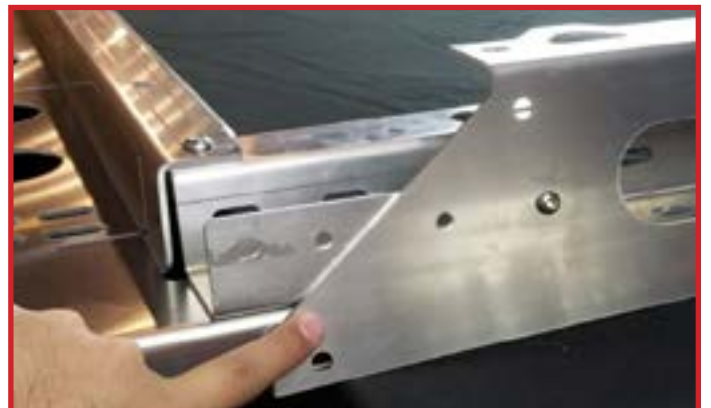


2 REAR BRACE AND SIDE FASCIA MOUNTING

Attach the rear brace and side fascias shown using 1/4" and 5/16" bolts on both sides as shown below.



SIDE FASCIA CONTINUED

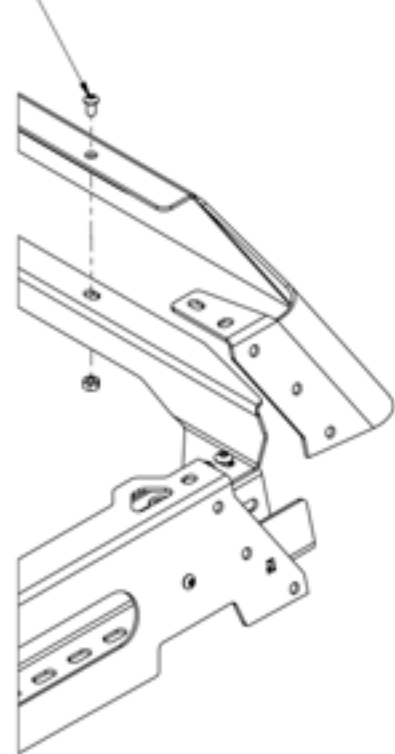


3 REAR FASCIA MOUNTING

Attach rear fascia as shown with 5/16" bolts and nuts.



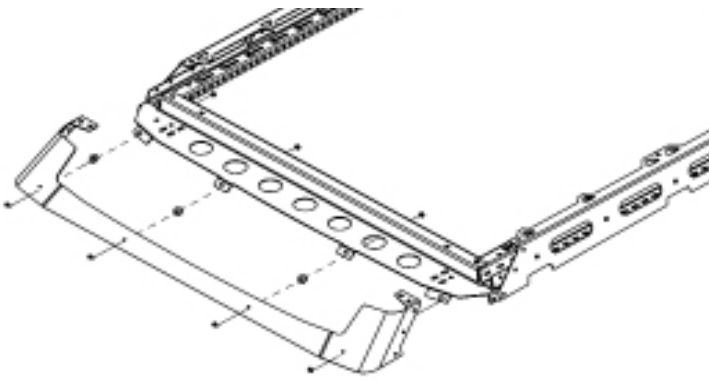
4x 5/16-18 x .5" BUTTON HEAD BOLT
w/NYLOCK



4 FRONT FASCIA MOUNTING

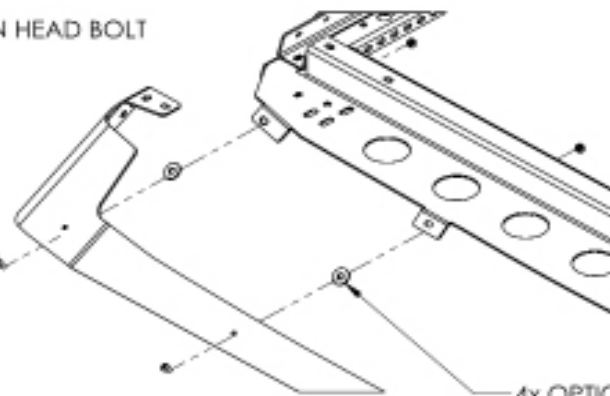
Attach the front fascia using 1/4" bolts. Use the provided round spacers to adjust the front fascia to match the curve of the roof when test fitting the roof rack during mounting.

NOTE: IF YOU HAVE A FASCIA WITH A LIGHT BAR CUTOUT, WE RECOMMEND INSTALLING THE LIGHT BAR PRIOR TO MOUNTING THE ROOF RACK.



Install the weather stripping to the bottom of front fascia as shown right and trim any excess.

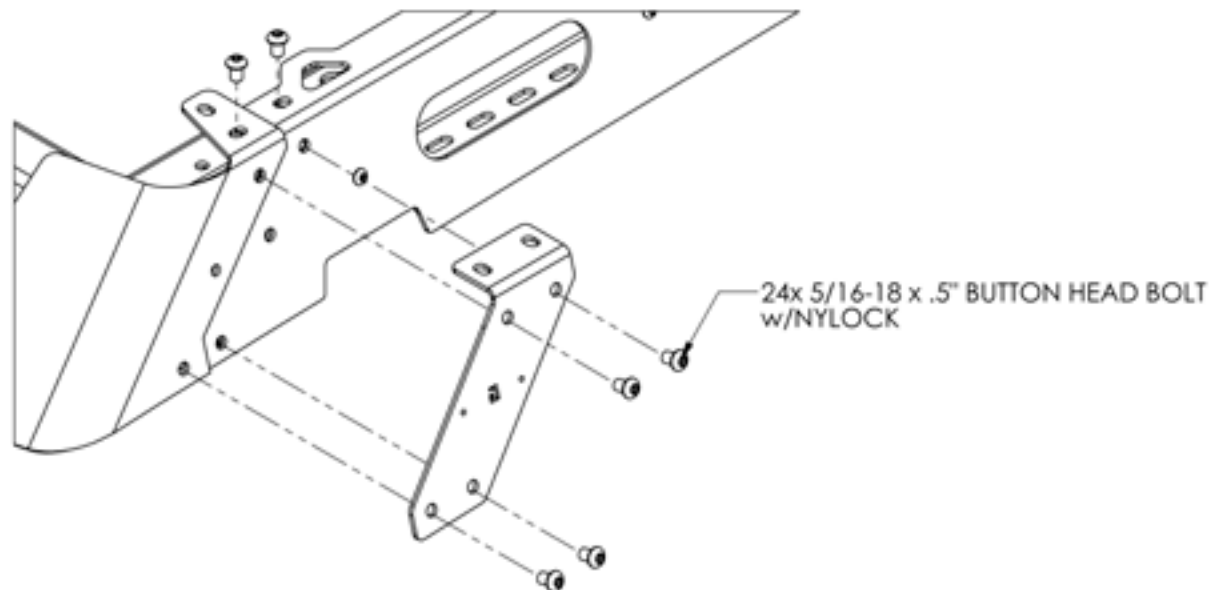
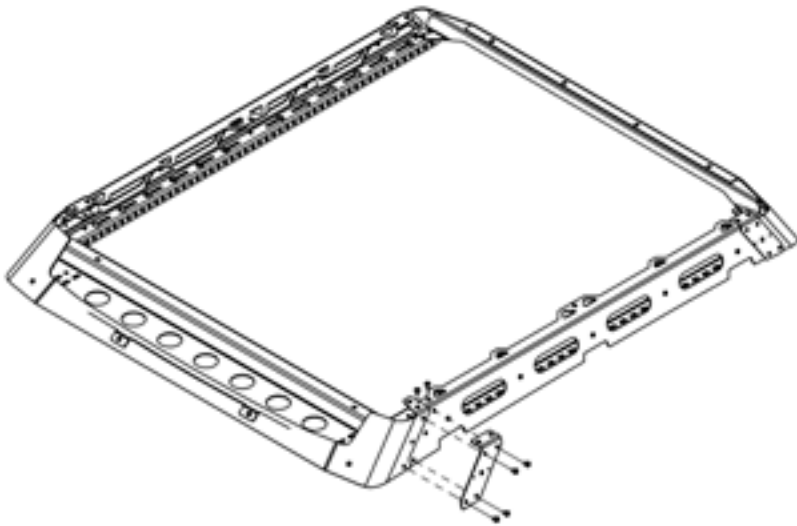
4x 1/4-20 x .75" BUTTON HEAD BOLT
w/NYLOCK



4x OPTIONAL SPACER

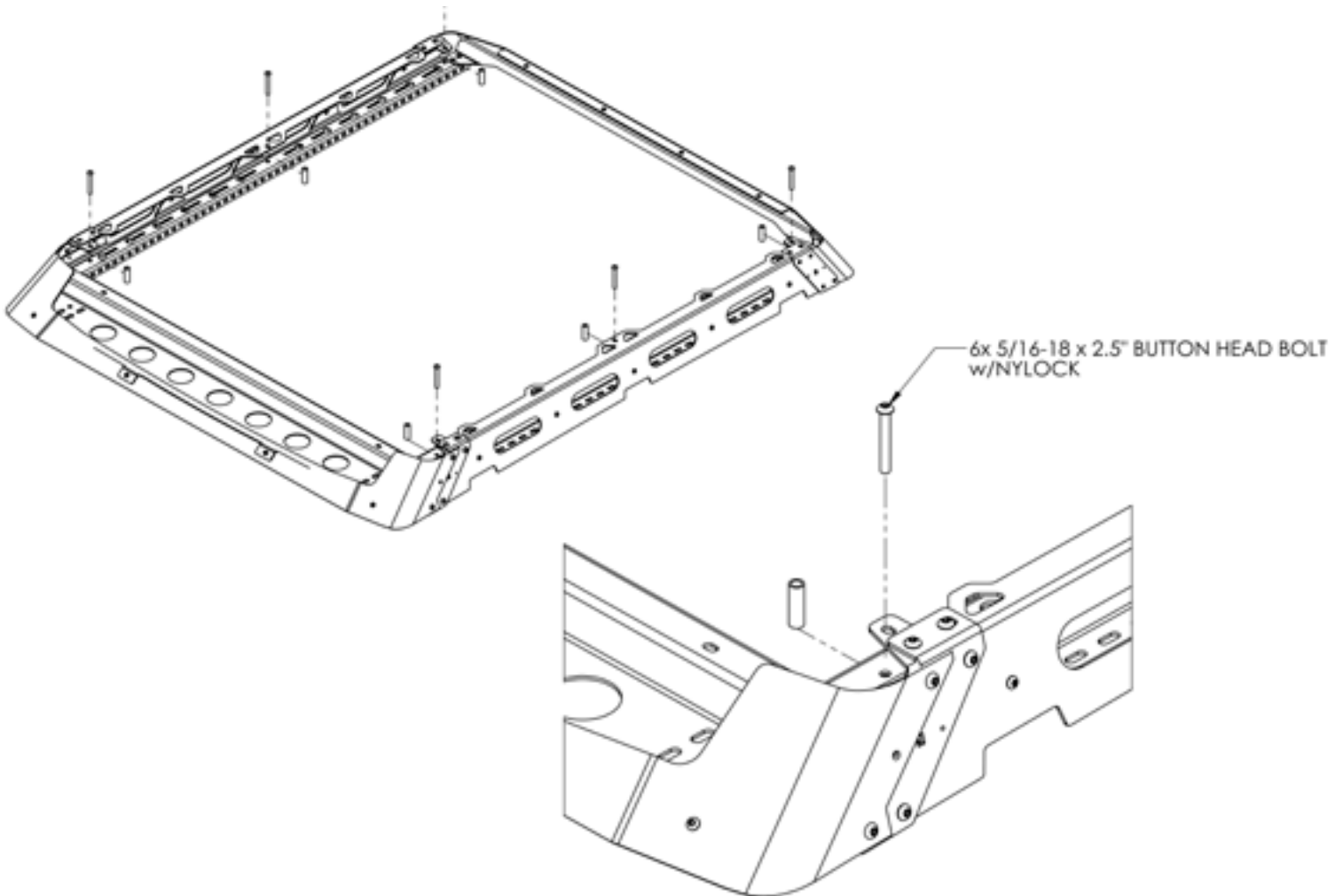
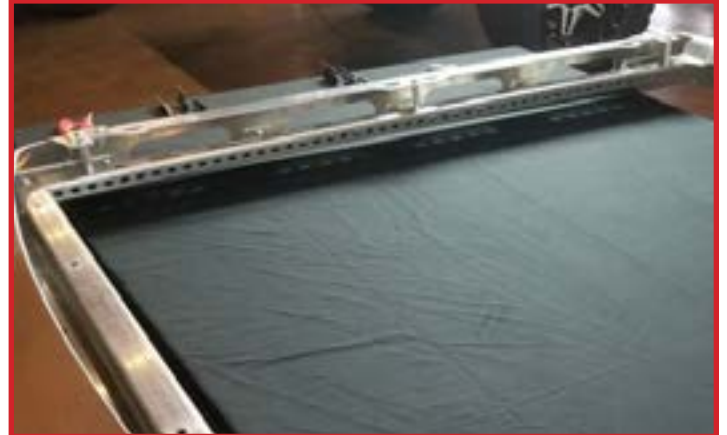
5 SEAM JOINERS

Mount both front and rear seam joiners with 5/16" hardware as shown top and bottom.



6 REINFORCEMENT SPACERS

Attach reinforcement spacers as shown on all 6 hole locations (3 each side) with the provided hardware.



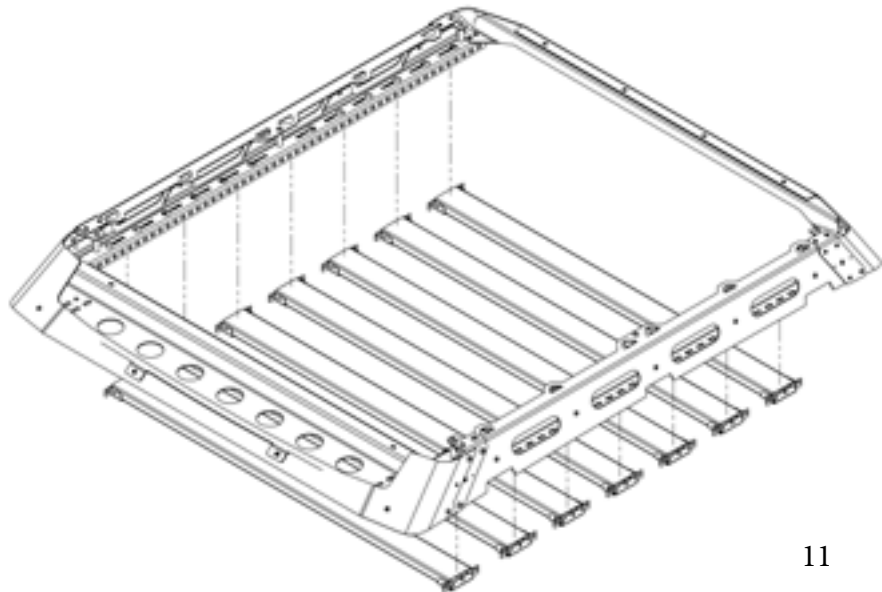
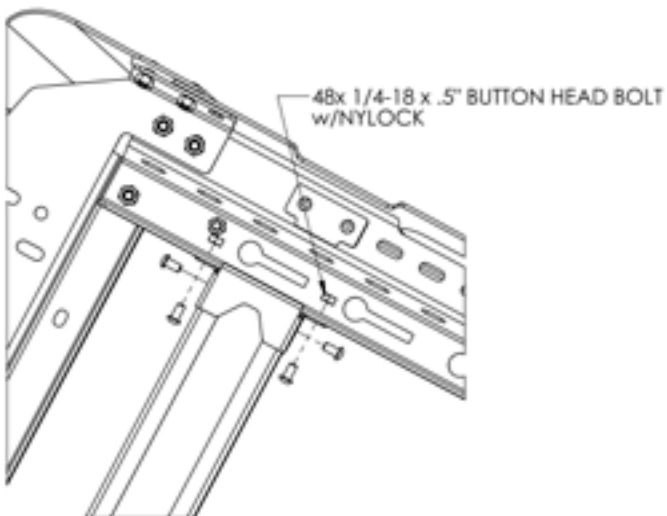
7 LOAD BAR ASSEMBLY

Assemble the load bars with the provided mounts using 1/4" bolts and nuts. Repeat for all load bars.



8 LOAD BAR INSTALLATION

Flip roof rack over and attach load bars as shown. Using provided nuts and bolts, you may begin tightening down each load bar with two bolts and nylocs for each side.



INSTALLATION ROOF RACK

9 GUTTER CLAMP PADDING

Attach the provided pads to the underside of all gutter clamps as shown below.



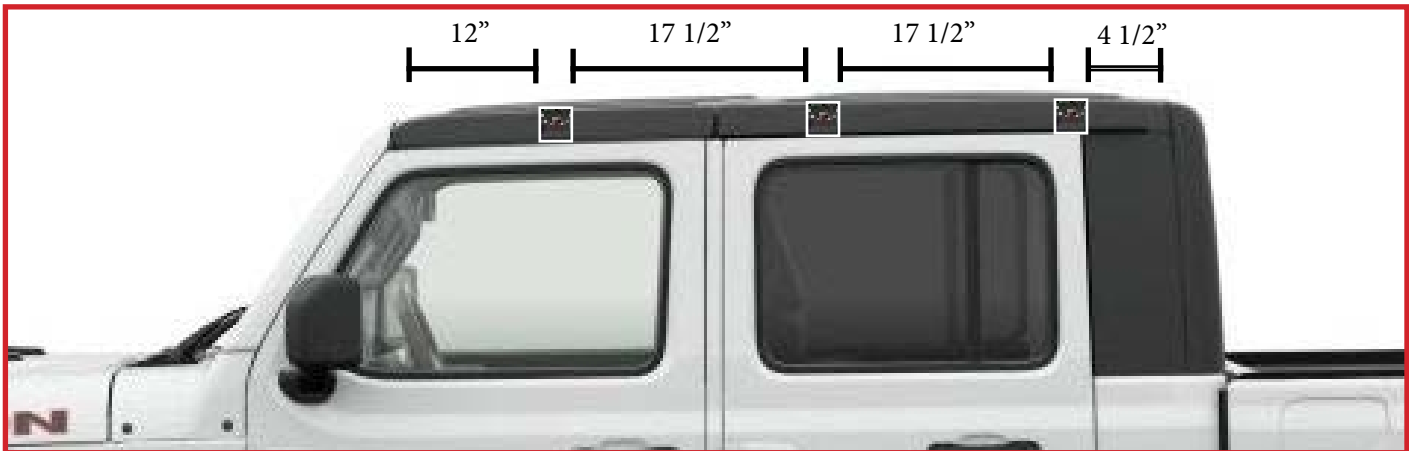
10 GUTTER CLAMP MOUNTING

Place the gutter clamps on the roof and tighten enough to still allow side to side motion.
The "G" marked gutter clamps should be placed at the rear of the vehicle.



11 GUTTER CLAMP LOCATIONING

Pictured below are the dimensions for adjusting the gutter mounts to the correct locations. The first gutter clamp is positioned 12" from the start of the roof gutter. Each consecutive gutter clamp is measure from the edge of previous gutter clamp to the start of the next at 17 1/2". Check that the last gutter clamp is positioned at about 4 1/2" from the end of the roof gutter. Repeat for the other side and tighten the gutter clamps into place.



12 ROOF RACK INSTALL

Place the rack onto the vehicle and line up with all gutter mounts, and test fit before mounting using the provided 5/16" bolts (2 for each mount). Hold the included nut retainer underneath for each gutter mount for the bolts to thread into from the top to secure the roof rack into its final position as shown below. Use the provided spacers to evenly adjust the gap between the rack and the vehicle and to ensure that it is level.



ROOF RACK INSTALL CONTINUED

