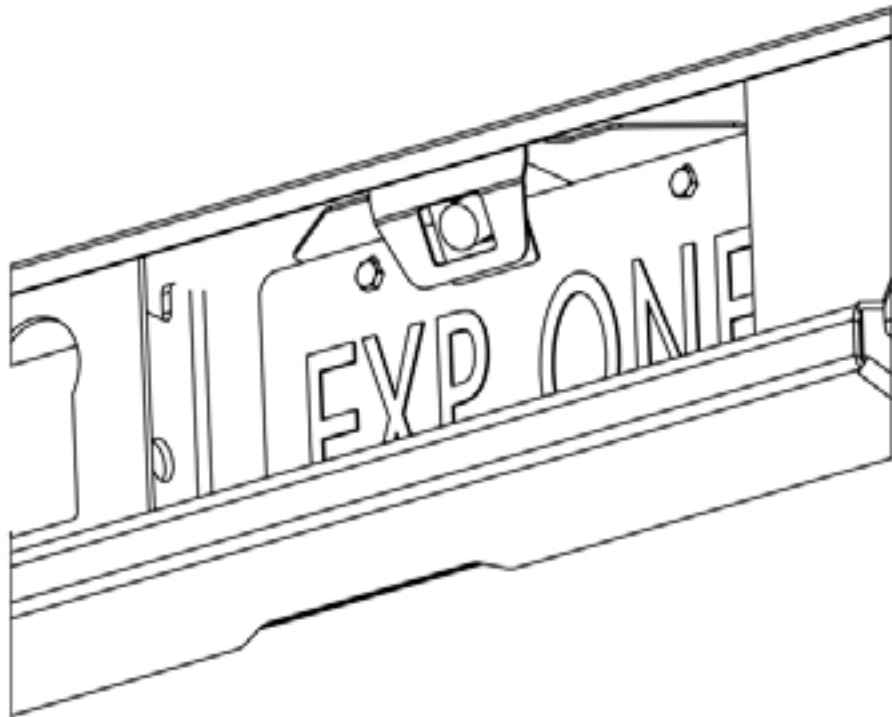


# INSTALLATION GUIDE

## TRUCK BACK UP CAMERA RELOCATION

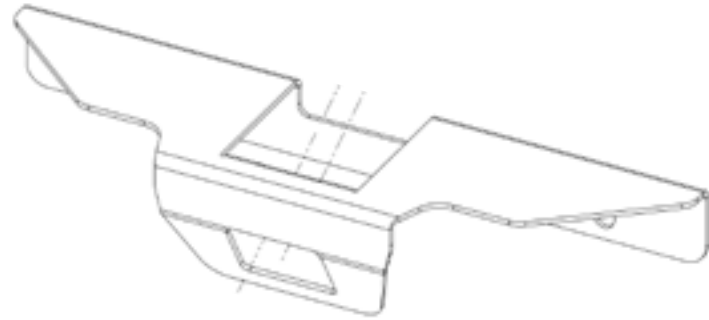


# CONTENTS

CAMERA RELOCATION BRACKETS AND OEM HARDWARE ARE MODEL DEPENDENT AND MAY VARY IN FORM AND MOUNTING

## HARDWARE

ITEM	QTY
Truck Camera Relocation Bracket	1
Truck Camera Relocation Hardware	
1/2" - 20 X 1/2" Hex Cap Bolt	2
1/2" - 20 Nyloc Nut	2
Tailgate Camera Hole Plug (model dependent)	1



## SKILL LEVEL - 3 STARS



- 1 STAR ★☆☆☆☆
- 2 STARS ★★☆☆☆
- 3 STARS ★★★☆☆
- 4 STARS ★★★★☆
- 5 STARS ★★★★★

- EASY - No tools required
- BASIC - Requires standard tools, basic mechanical knowledge and understanding
- MODERATE - Requires standard tools. Some drilling and/or cutting.
- ADVANCED - Requires speciality tools. Drilling, cutting, and/or welding
- EXPERT - Professional installation recommended.

## DISCLAIMER

Expedition One is not responsible for any damages to vehicle or injury. We always recommend professional assistance when installing our vehicle products.

Always follow safety precautions including the use safety gear and devices.

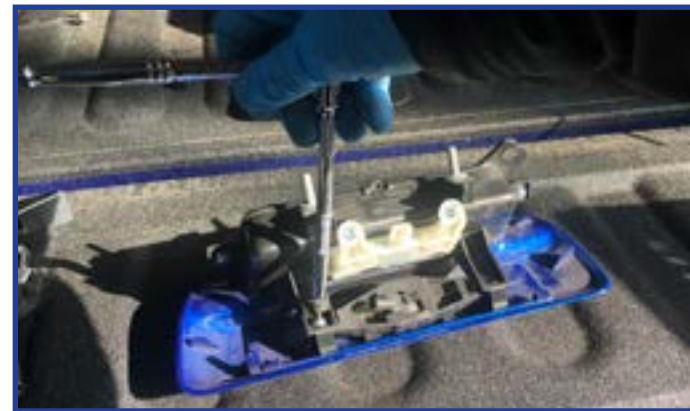
# BACK UP CAMERA REMOVAL AND ASSEMBLY

## 1 OEM BACK CAMERA REMOVAL

Remove the access panel located on the tailgate. Disconnect the OEM back up camera and wiring harness. [Ram HD shown below.](#)

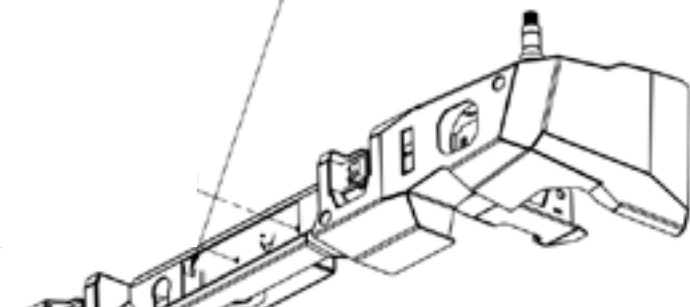


Different models may require remove the tailgate handle and other hardware. Next disassemble the OEM back up camera bracket and/or mounts, saving the hardware as it may be used in the new assembly. Some models will require the separation of the wiring loom if they are connected to an electronic lock. [Ram HD handle shown and Jeep Gladiator wire separation shown below.](#)



Now thread the wiring harness through the bottom of the tailgate and position behind the bumper, inserting the harness through the hole location in the license plate area.

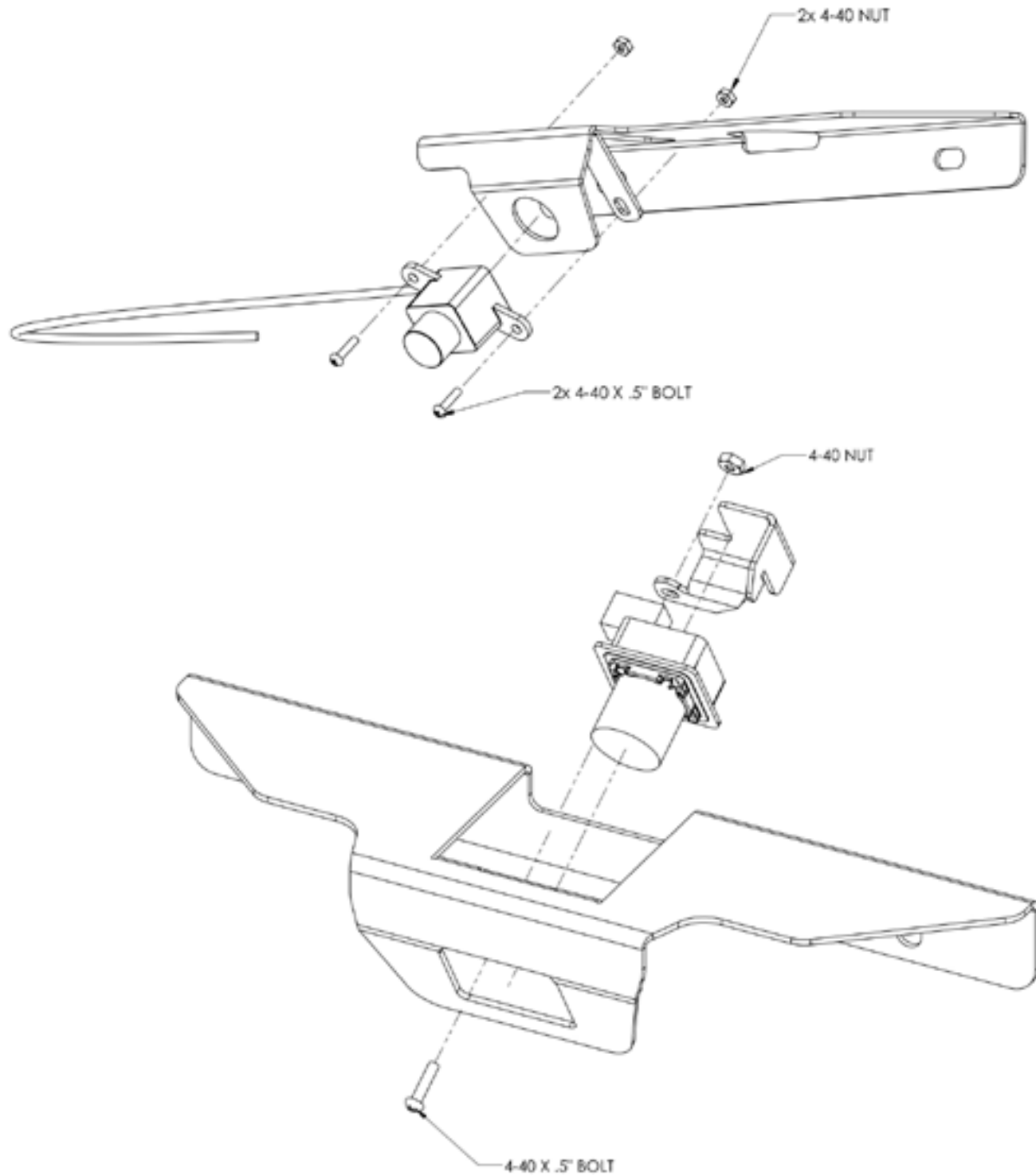
WIRE THREADED THROUGH THIS HOLE



# BACK UP CAMERA MOUNTING

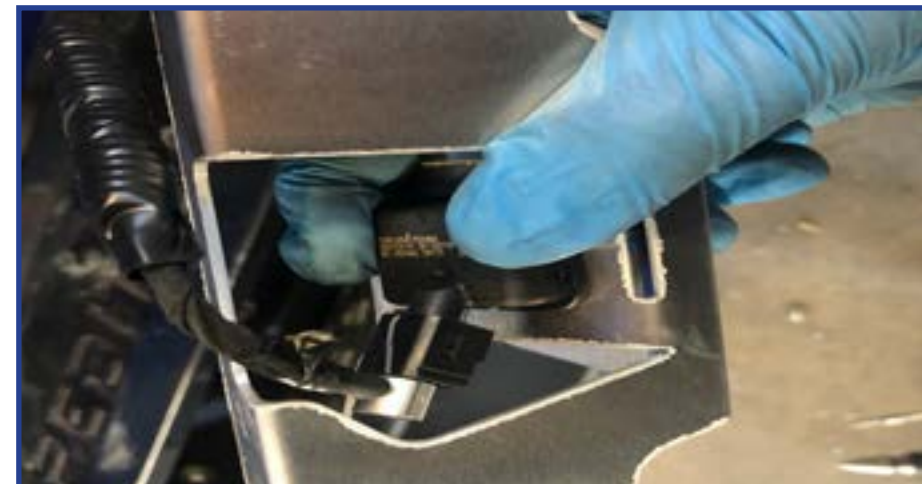
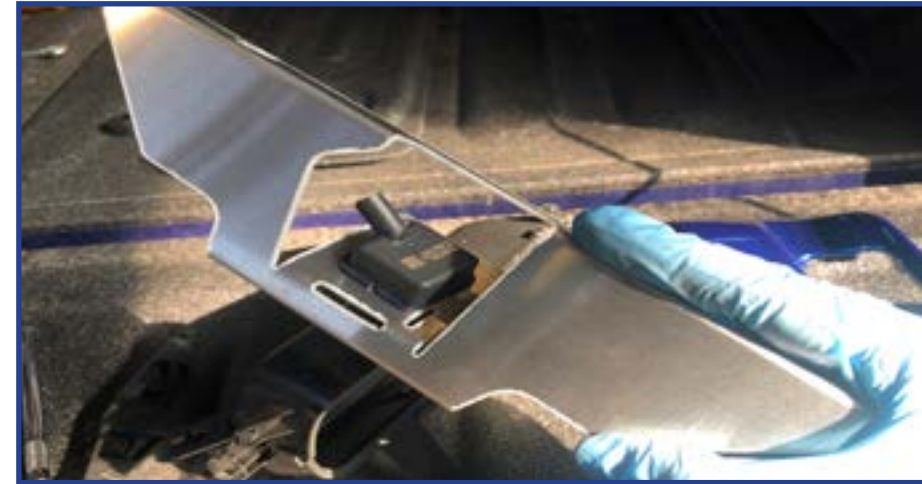
## 2 MOUNTING THE CAMERA

Attach the OEM camera to the provided relocation bracket as shown using the OEM hardware from step 1. Brackets and OEM hardware are model dependent and may vary in form and mounting.



## CONTINUED

RAM HD shown below. Brackets and OEM hardware are model dependent and may vary in form and mounting.



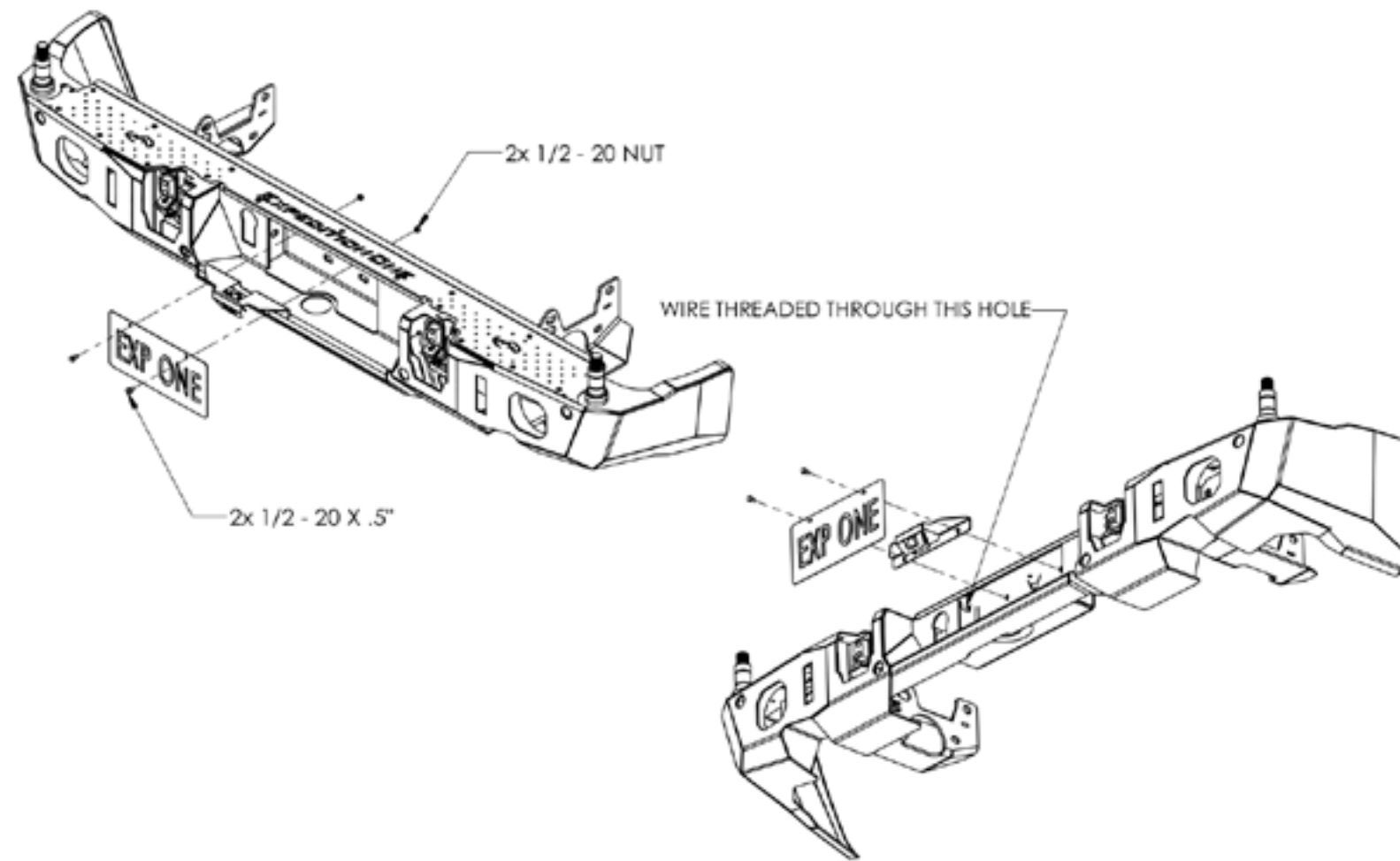


# RELOCATION BRACKET MOUNTING

## 3 CAMERA RELOCATION BRACKET INSTALL

With the camera installed, mount the relocation bracket as shown including the rear license plate with the provided hardware.

Brackets and OEM hardware are model dependent and may vary in form and mounting.



## CONTINUED

Some models may require trimming the license plate. Check all connections and working operation of the back up camera before driving. Jeep Gladiator shown below.



A tailgate camera hole plug will be provided with some models. Trim the tailgate camera hole plug to fit and insert before reinstalling the tailgate access panel and other hardware. Ram HD shown below.

