

# INSTALLATION GUIDE

2010+ Ram 1500 DSTC Rear Bumper



# CONTENTS

## CONTENTS

Hardware	Page 3
Bumper Removal	
Bumper removal and aensor install	Page 4
Bumper Preperation	
Installation of wiring and lights	Page 5
Tread plate and DSTC hardware	
Frame modification	Page 6
OEM hardware removal	Page 7
Drilling mounting holes	Page 8
Bumper Installation	
Rear Bumper Bracket Installation	Page 9 - 10
Rear Bumper Installation	Page 11

## SKILL LEVEL - 4 STARS



- 1 STAR ★☆☆☆☆
- 2 STARS ★★☆☆☆
- 3 STARS ★★★☆☆
- 4 STARS ★★★★☆
- 5 STARS ★★★★★

- EASY - No tools required
- BASIC - Requires standard tools, basic mechanical knowledge and understanding
- MODERATE - Requires standard tools. Some drilling and/or cutting.
- ADVANCED - Requires speciality tools. Drilling, cutting, and/or welding
- EXPERT - Professional installation recommended.

## DISCLAIMER

Expedition One is not responsible for any damages to vehicle or injury.  
We always recommend professional assistance when installing our vehicle products.

Always follow safety procautions including the use safety gear and devices.

# HARDWARE

## HARDWARE

ITEM	QTY
Ram 1500 DSTC Rear Bumper	1
<u>A</u> Rear Mounting Brackets	2
Rear Mounting Hardware DSTC Bumper	
1/2"-13 X 1 1/4" Hex Cap Bolts	10
1/2"-13 Nylock Nuts	10
1/2" X 1.375" USS Washers	20
<u>B</u> License Plate Light Kit	
LED Light with Wiring	2
Male Connector	4
Female Connector	4
Rear Bumper Sensor Plugs	4
<u>C</u> Full-Size Truck Drop Pin Plates	2
<u>C</u> Drop Pins	2
<u>D</u> DSTC Tread Plate	1
Tread Plate Hardware	
1/4"-20 X 3/4" Hex Drive Button Head	20
1/4"-20 Nylock Nuts	20
Rear Bumper Sensor Plugs	4



# BUMPER REMOVAL

## 1 DISCONNECT WIRING HARNESS

Disconnect the rear bumper's parking sensors and license plate light wiring harness via the drivers side connector located in the corner of the bumper.

## 2 REMOVE OEM BUMPER HARDWARE AND BUMPER

Remove the rear bumper OEM hardware of 6 bolts (2 each side and 2 center behind the rear license plate). Pull off the rear bumper.



## 3 INSTALLATION OF PARKING SENSORS

Remove the OEM parking sensors bezels and disconnect the parking sensors from the wiring loom. Install the all OEM parking sensor bezels as shown, before connecting the parking sensors.

The OEM wiring loom will require extension to reach the sensor locations. Wiring not provided



# DSTC BUMPER PREPERATION

## 4 WIRING HARNESS INSTALLATION

Place the OEM wiring harness into the bumper, threading the wiring through so that connectors match there respective postions. Make sure the wiring harness connector is located on the driver side of the vehicle. Reattach all 4 parking sensors. Avoid placing the wiring harness near mounting holes and visible cutouts.

## 5 LICENSE PLATE LIGHT INSTALLATION

Remove the original license plate lights by cutting off a small section of wire. Attach one set of connectors to the original wiring loom, connecting the opposite set to the provided lights. Insert the provided license plate light into the bumper. Connecting the wiring loom and light wires via the connectors. Do not match wiring by color, it is likely that you will need to connect opposite or different colors.



## 6 TREAD PLATE AND DROP PIN PLATE

Install the tread plate and drop pin plates to both sides using the provided hardware. Remove the plastic covering after installing the bumper.

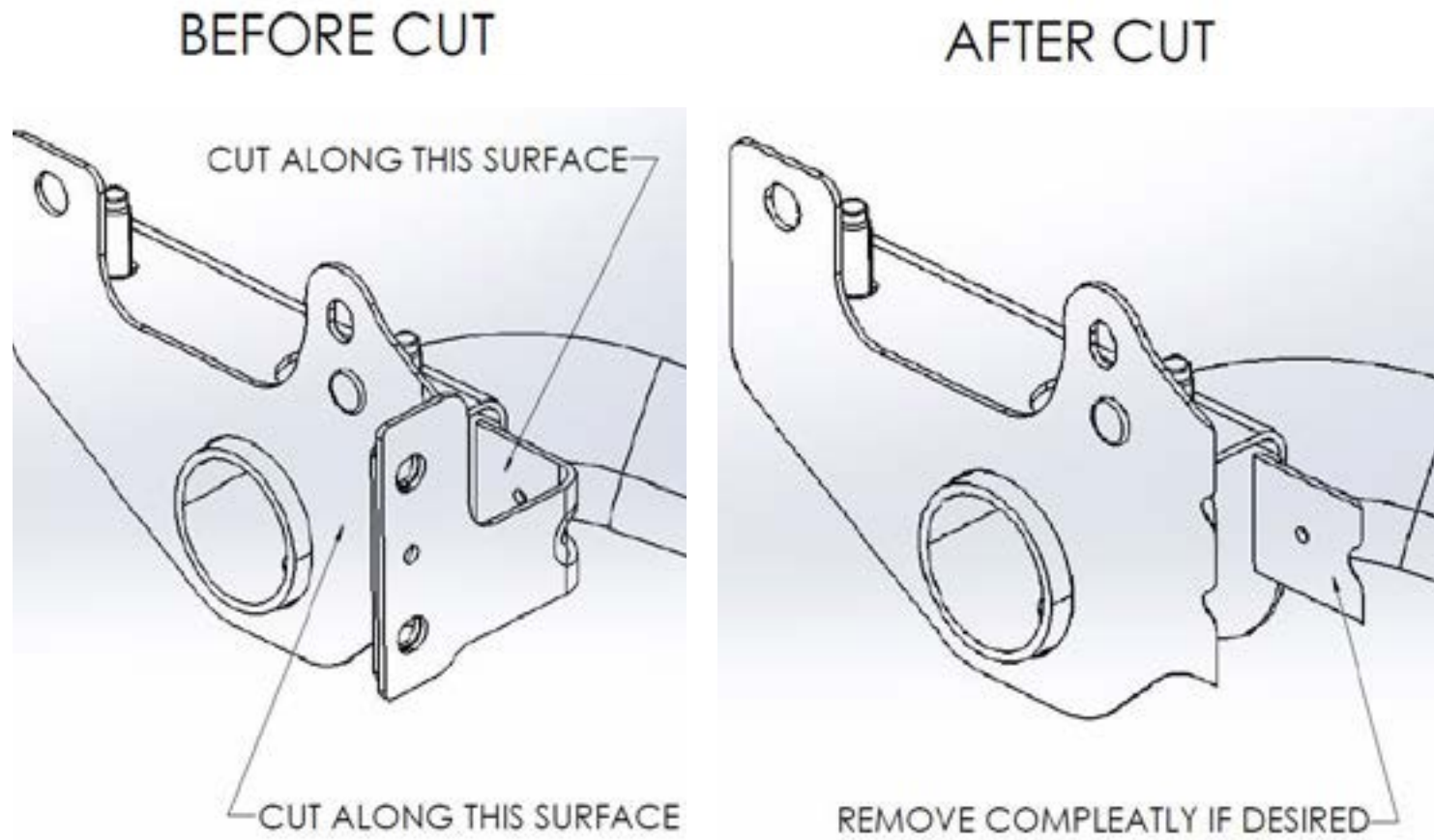


## 7 INSTALLATION OF KICK PLATE HARDWARE

See DSTC instructions.

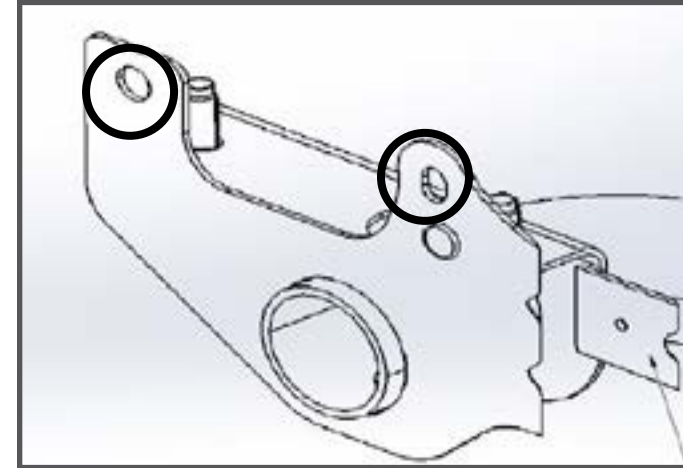
## 8 FRAME MOUNT MODIFICATION

Cut off the edges both frame mounts as shown.



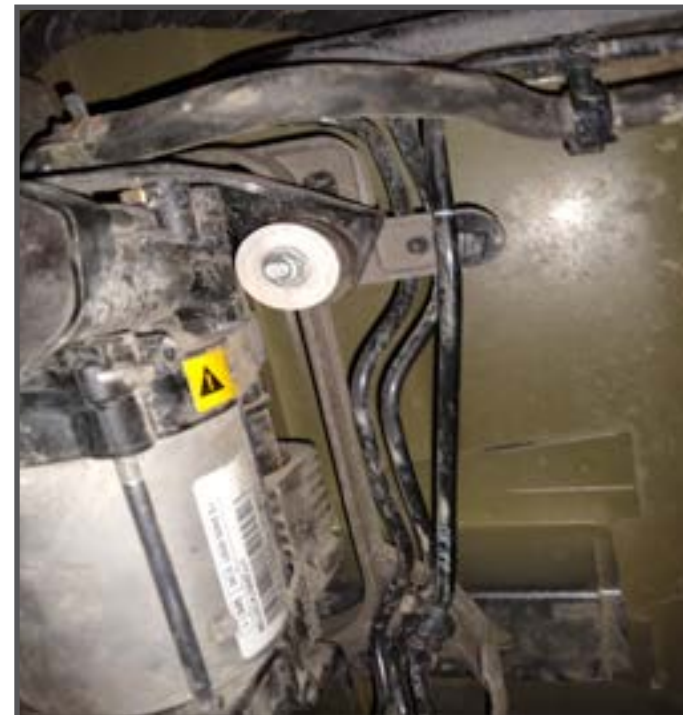
## 9 ADDITION OF MOUNTING HOLES

Remove the 2 top OEM hardware bolts from each frame mount (as circled)



### AIR SUSPENSION EQUIPPED MODELS

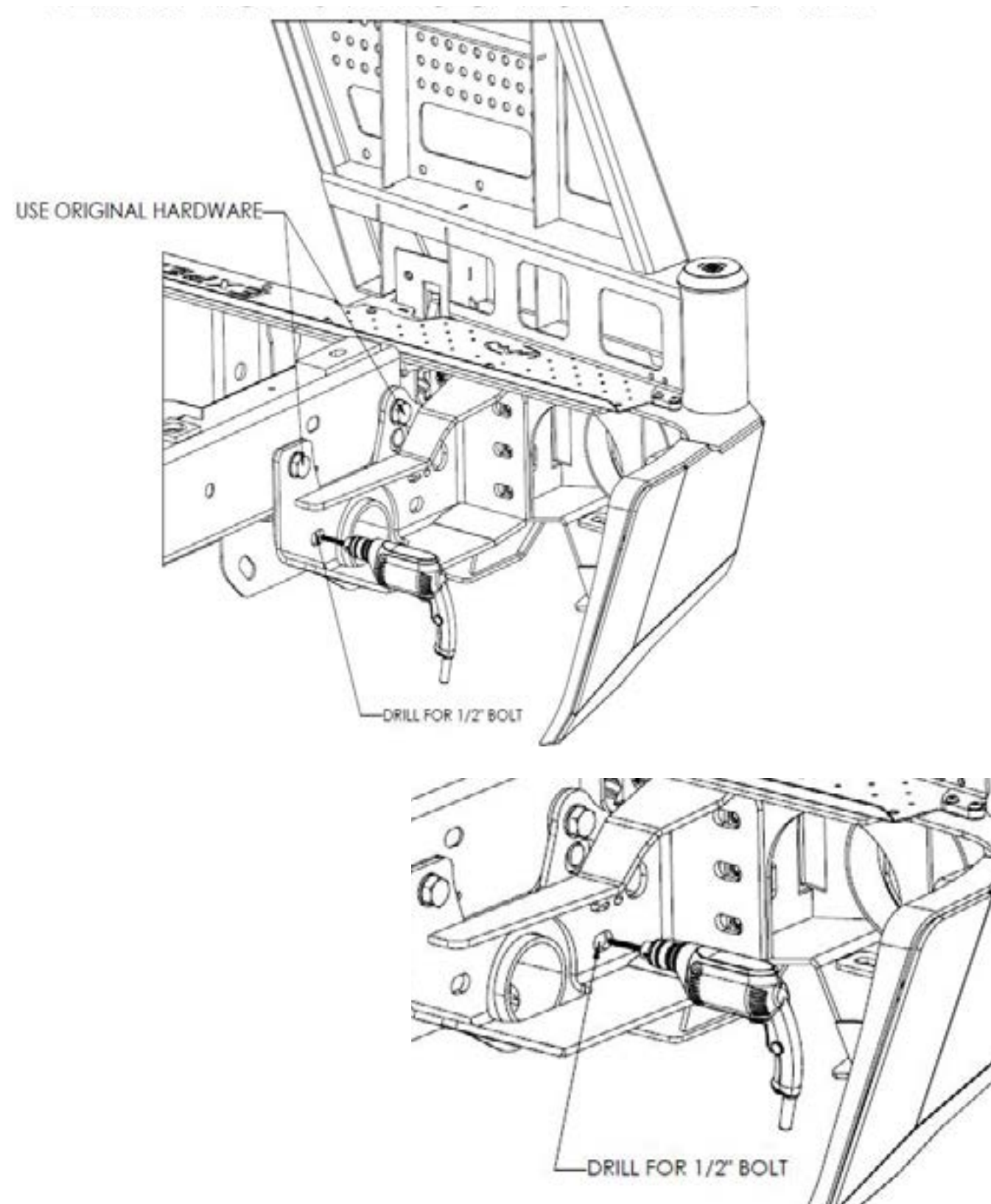
Models equipped with air suspension might require the disconnect of a rear control unit located on the passenger side of the vehicle to gain access to OEM hardware locations and installation of rear brackets.



# DSTC BUMPER INSTALLATION

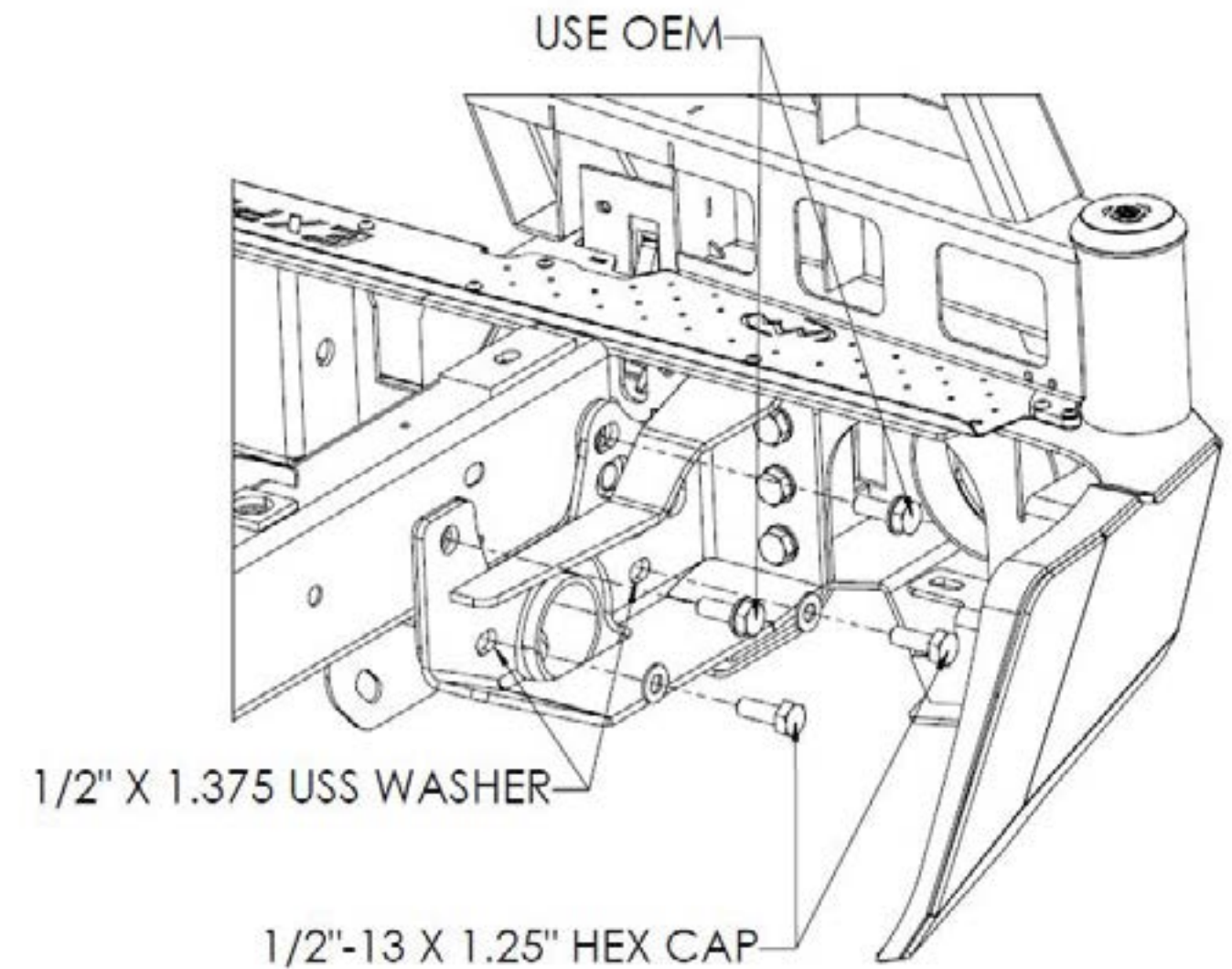
## 10 DRILLING MOUNTING HOLES

Test fit the the rear bumper bracket using the OEM hardward and trace the location of the 2 added mounting holes to both frame mounts then drill out the holes as shown



## 11 INSTALLATION OF REAR BUMPER BRACKETS

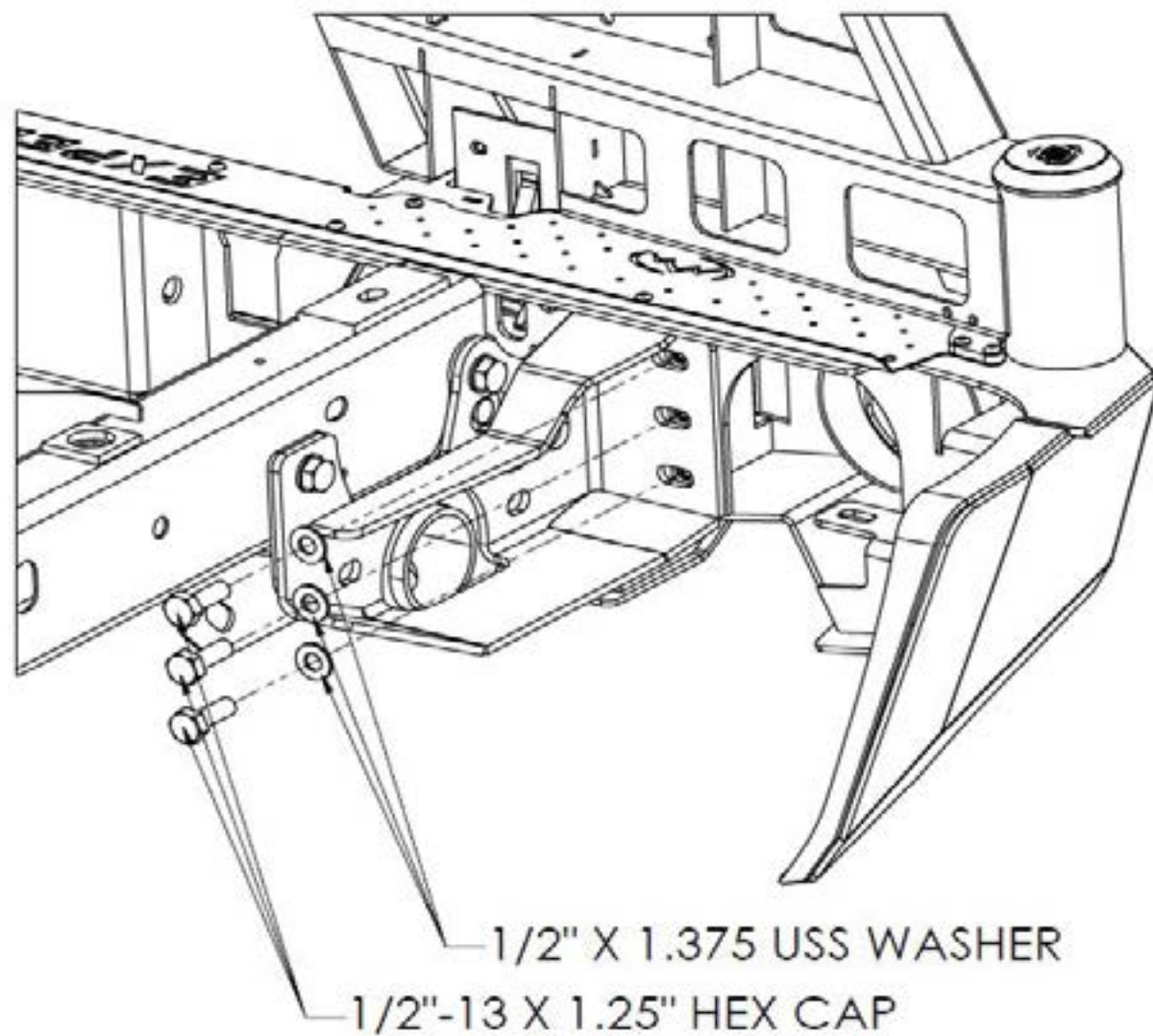
Mount the brackets using supplied and OEM hardware as shown below.



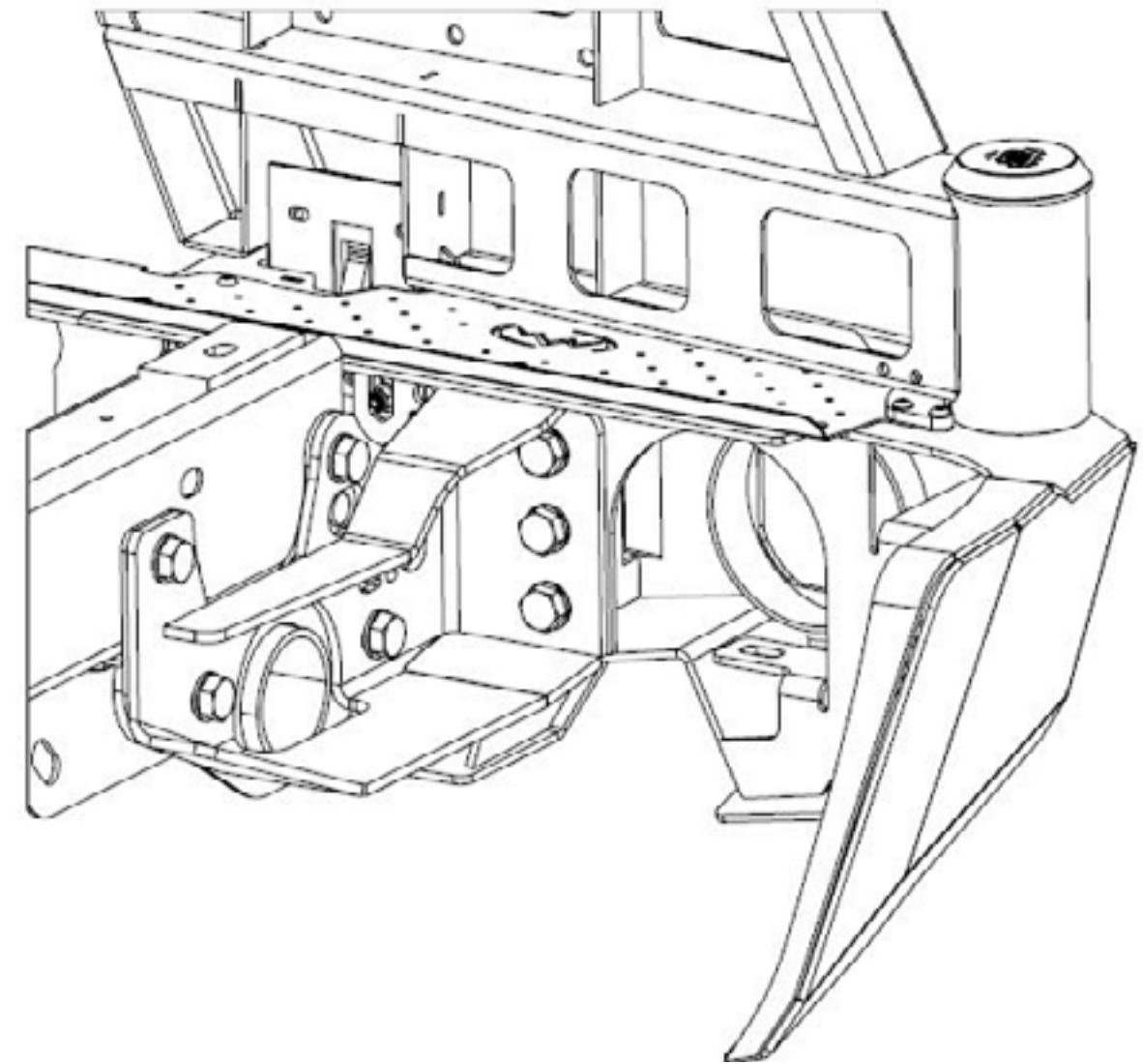
## 12 INSTALLATION OF REAR DSTC BUMPER BRACKETS

Center the bumper with the vehicle and align gaps between the bumper to your preference before mounting. Mount the rear bumper using the supplied rear bumper hardware including the 2 OEM license plate location bolts as shown below.

Tighten to recommended 90 ft-lbs.



COMPLETE INSTALL IMAGED



## 13 RECONNECT WIRING HARNESS

Reconnect the parking sensor and license plate light wiring harness to the vehicles electronics.

The OEM wiring loom will require extension to reach the sensor locations. Wiring not provided.

## 14 INSTALLATION OF DSTC SWING ARMS

See DSTC instructions.

